

0CNP6-M00480EN

PAINTING COLOR(MK790, MK890)

SECTION	PAINTING COLOR	COLOR SPRAY	MAIN PARTS	COLOR CODE (FIGURE)
BODY	YANMAR RED	TOR-94800100	BELT COVER	10
BODY	YANMAR MAT BLACK	TOR-94800130	FRAME CMP(ENGINE	13
BODY	YANMAR WHITE	TOR-94800140	FENDER L/R	14

Please surely use YANMAR Genuine color spray any YANMAR agricultural machines.

Given painting color may be altered for improvement, etc. without prior notice.

Contents

Fig. No. Fig. Name

PULLEY & TENSION

1. ENGINE ACCESSORIES
2. ENGINE PULLEY
3. ENGINE PULLEY
4. MAIN PULLEY
5. TENSION CLUTCH

TRANSMISSION

6. TRANSMISSION CASE
7. MAIN SHAFT
8. SUB SHAFT
9. DECELERATION SHAFT
10. FINAL SHAFT
11. AXLE SHAFT
12. MAIN CHANGE
13. RANGE SHIFT
14. SIDE CLUTCH

WHEEL

15. FENDER

HANDLE

16. HANDLE BASE
17. HANDLE
18. HANDLE ACCESSORIES

Fig. No. Fig. Name

19. TILLAGE CONTROL LEVER
20. SUB SHIFT CONTROL
21. SWITCHING CONTROL

ENGINE FRAME

22. ENGINE FRAME
23. REAR HITCH
24. STAND
25. BELT COVER
26. FUEL TANK
27. BONNET

ELECTRICAL PARTS, LABEL & ACCESSORY

28. ELECTRIC PARTS
29. LABEL
30. SAFETY LABEL
31. TOOL & ACCESSORY PARTS

Fig.1. ENGINE ACCESSORIES

(A)=MK790
(B)=MK890
(C)=

(D)=
(E)=
(F)=

No.	Lev.	Parts No.	Description	Q'ty						I	R
				(A)	(B)	(C)	(D)	(E)	(F)		
1	1	1A2779-11100	GUARD ASSY,MUFFLER	1	1						
2	1	1A2770-11200	STAY CMP, ENGINE	1	1						
3	1	1A2770-11300	COVER CMP, MUFFLER	1	1						
4	1	114252-13950	BOLT, M6X8	4	4						
5	1	26014-080402	BOLT, 8 X 40	4	4						
6	1	26367-080002	NUT, 8	4	4						
7	1	26367-080002	NUT, 8	4	4						

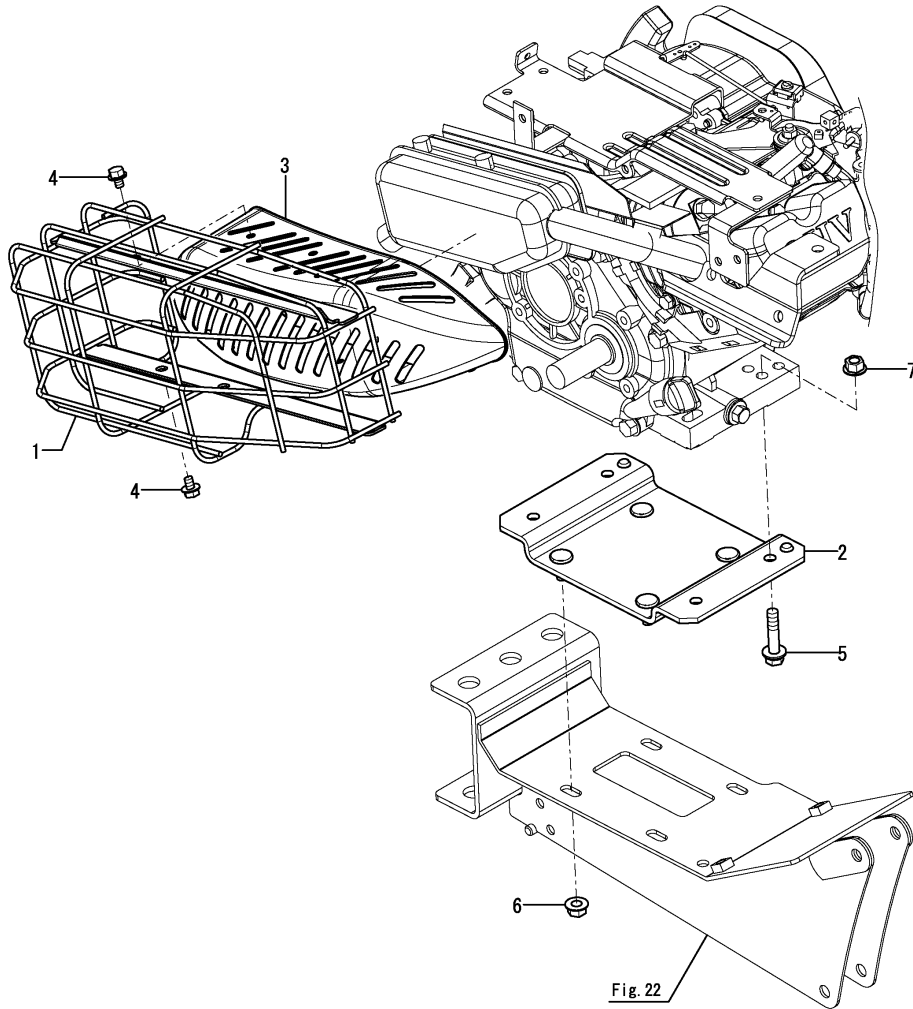
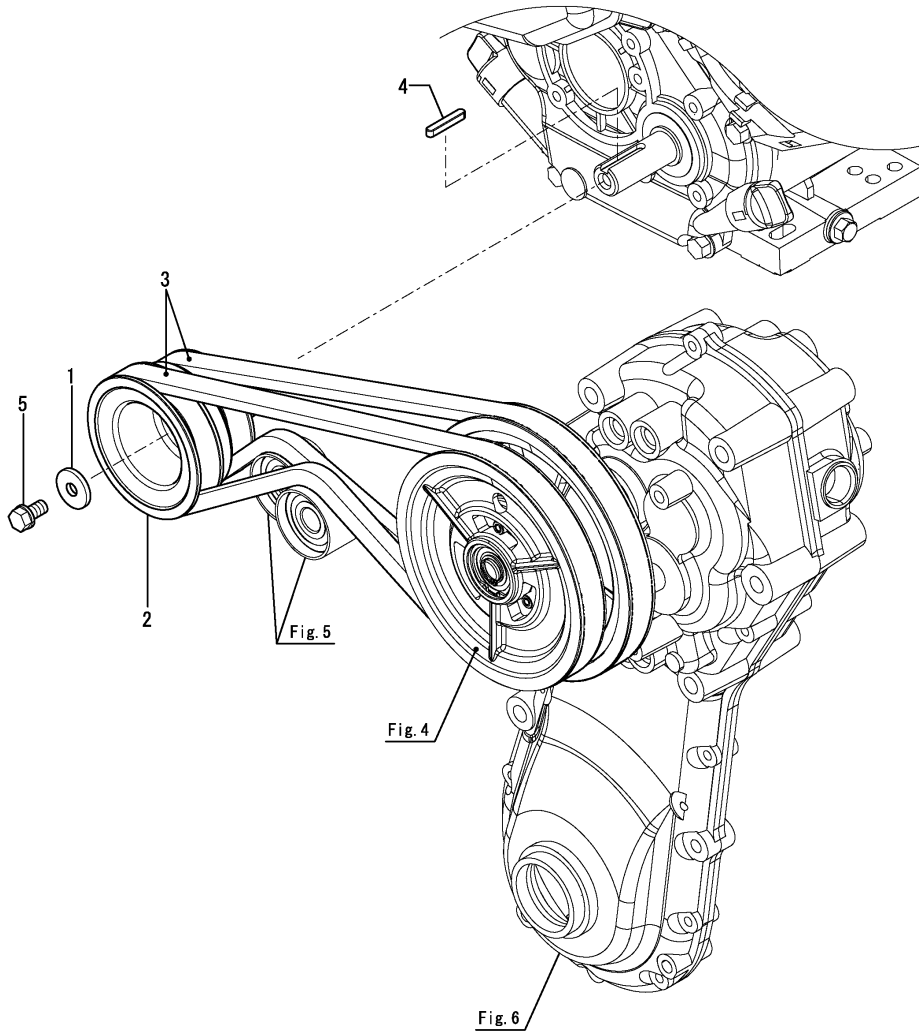


Fig.2. ENGINE PULLEY

(A)=MK790
(B)=MK890
(C)=

(D)=
(E)=
(F)=

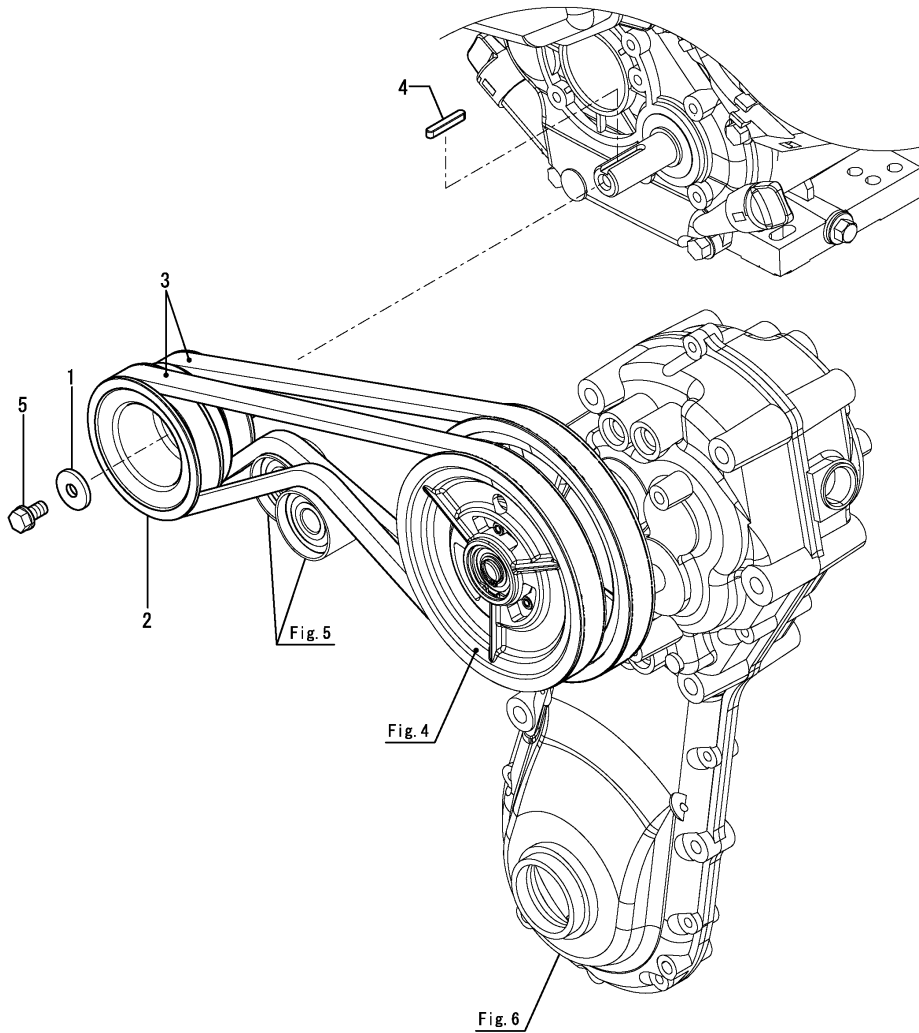


No.	Lev.	Parts No.	Description	Qty						I	R
				(A)	(B)	(C)	(D)	(E)	(F)		
1	1	1D1140-11420	WASHER, PULLEY	1							
2	1	1A2770-12050	V PULLEY,73B	1							
3	1	1A2740-12100	BELT, SB39 HP2	2							
4	1	22512-050300	KEY, 5 X 30	1							
5	1	26013-080162	BOLT, 8 X 16	1							

Fig.3. ENGINE PULLEY

(A)=MK790
(B)=MK890
(C)=

(D)=
(E)=
(F)=

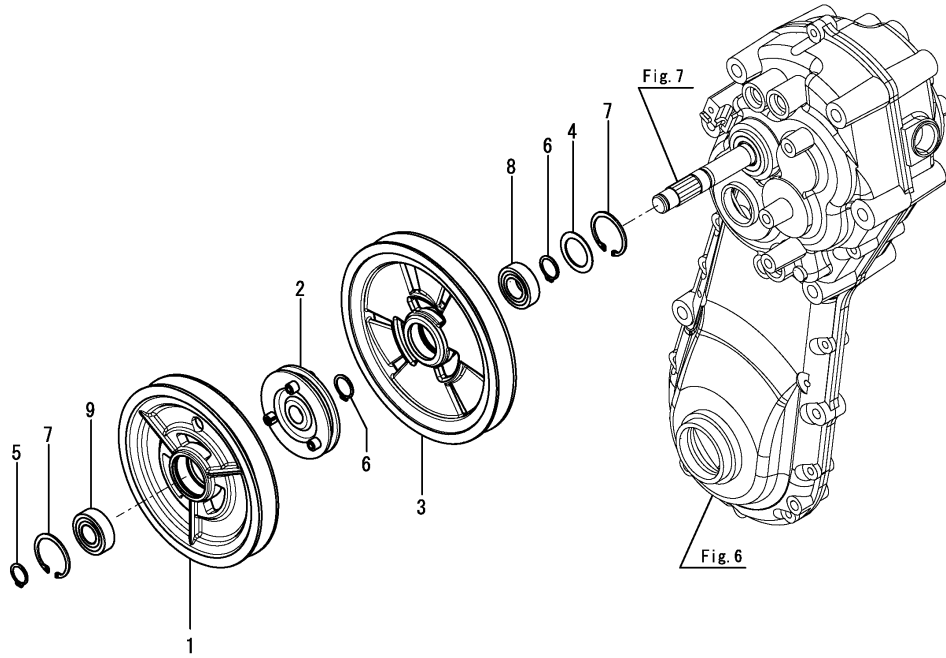


No.	Lev.	Parts No.	Description	Q'ty						I	R
				(A)	(B)	(C)	(D)	(E)	(F)		
1	1	1D1140-11420	WASHER, PULLEY		1						
2	1	1A2770-12050	V PULLEY,73B		1						
3	1	1A2770-12110	BELT, SB39 HP5		2						
4	1	22512-050300	KEY, 5 X 30		1						
5	1	26013-080162	BOLT, 8 X 16		1						

Fig.4. MAIN PULLEY

(A)=MK790
(B)=MK890
(C)=

(D)=
(E)=
(F)=



No.	Lev.	Parts No.	Description	Q'ty						I	R
				(A)	(B)	(C)	(D)	(E)	(F)		
1	1	1A2009-13302	PULLEY, MAIN SHAFT	1	1						
2	1	1A2009-13342	ASSY SHIFTER	1	1						
3	1	1A2770-13351	PULLEY, 170B	1	1						
4	1	1A1105-23210	LINER 34X24.2X1.0	1	1						
5	1	22242-000150	RING, 15	1	1						
6	1	22242-000170	RING, 17	2	2						
7	1	22252-000350	RING, 35	2	2						
8	1	24104-060034	BEARING, 6003UU	1	1						
9	1	24104-062024	BEARING, 6202UU	1	1						

Fig.5. TENSION CLUTCH

(A)=MK790
(B)=MK890
(C)=

(D)=
(E)=
(F)=

No.	Lev.	Parts No.	Description	Q'ty						I	R
				(A)	(B)	(C)	(D)	(E)	(F)		
1	1	1A2480-13100	ROLLER ASSY, TENSION	2	2						
4	1	1A2770-13150	ARM CMP, TENSION(DX	1	1						
5	1	1A2770-13200	SHAFT CMP, TENSION	1	1						
6	1	1A2740-90100	V-NUT,6	1	1						
7	1	22137-120000	WASHER, 12	1	1						
8	1	22242-000120	RING, 12	1	1						
9	1	22242-000150	RING, 15	4	4						
10	1	22272-000060	RING, 6	1	1						

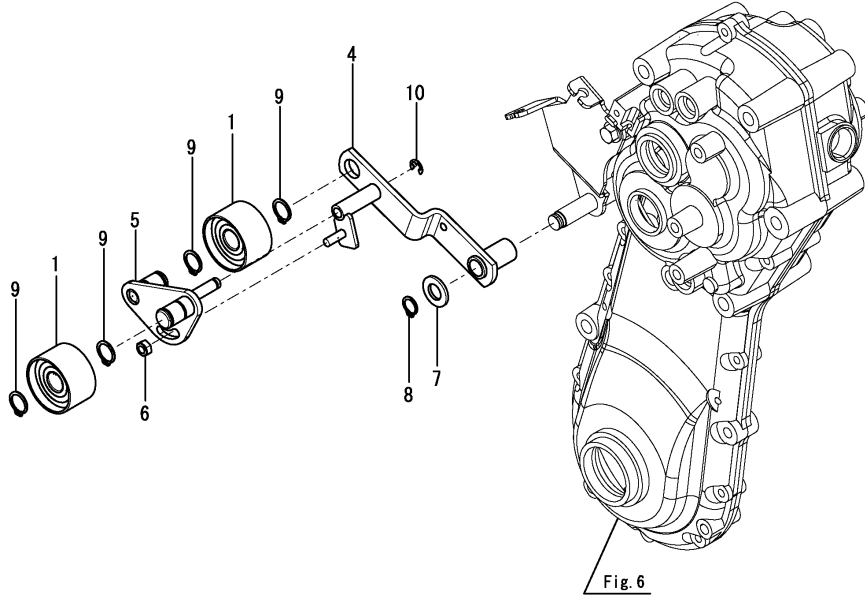
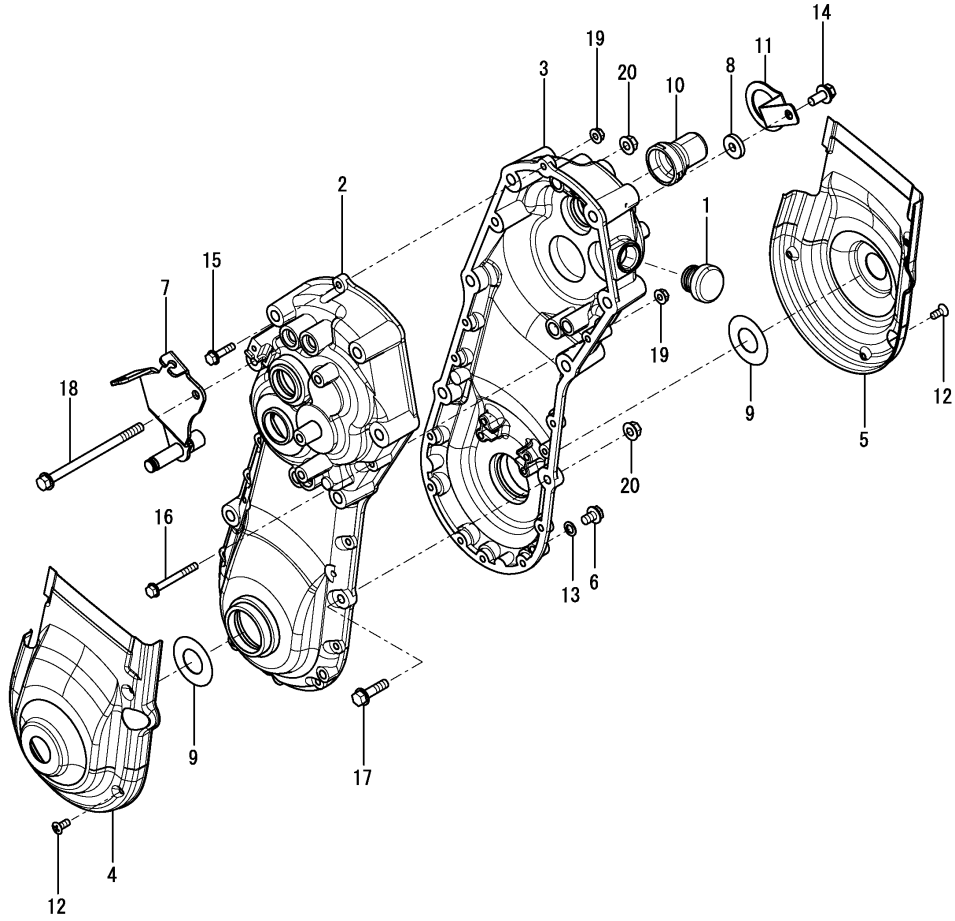


Fig. 6

Fig.6. TRANSMISSION CASE



(A)=MK790
(B)=MK890
(C)=

(D)=
(E)=
(F)=

No.	Lev.	Parts No.	Description	Q'ty						I	R
				(A)	(B)	(C)	(D)	(E)	(F)		
1	1	1A1470-20090	OIL FEED COVER 35	1	1						
2	1	1A2260-21000	CASE L,TRANSM.	1	1						
3	1	1A2260-21101	CASE	1	1						
4	1	1A2770-21200	COVER, PROTECT	1	1						
5	1	1A2770-21210	COVER, PROTECT	1	1						
6	1	1A2001-21250	BOLT, FLANGE 8X12	1	1						
7	1	1A2779-21250	STAY ASSY, TENSION	1	1						
8	1	1A2779-21500	WASHER, 8.3X23	1	1						
9	1	1A2530-24100	WASHER	2	2						
10	1	1A1220-28290	CAP,P.T.O.	1	1						
11	1	1A2019-28300	STAY, PTO CAP	1	1						
12	1	22867-600140	SCREW, 6.0 X 14	6	6						
13	1	23414-080000	GASKET, 8 X 1.0	1	1						
14	1	26014-080202	BOLT, M8X 20	1	1						
15	1	26106-060252	BOLT, 6 X 25	10	10						
16	1	26106-060552	BOLT, 6 X 55	1	1						
17	1	26106-080302	BOLT, 8 X 30	1	1						
18	1	26106-081252	BOLT, 8 X 125	1	1						
19	1	26367-060002	NUT, 6	11	11						
20	1	26367-080002	NUT, 8	2	2						

Fig.7. MAIN SHAFT

(A)=MK790
(B)=MK890
(C)=

(D)=
(E)=
(F)=

No.	Lev.	Parts No.	Description	Q'ty						I	R
				(A)	(B)	(C)	(D)	(E)	(F)		
1	1	1A2779-23000	SHAFT, MAIN	1	1						
2	1	1A2779-23010	GEAR, 14T MODULE2.0	1	1						
3	1	1A2770-23030	GEAR 14	1	1						
4	1	194850-25760	BALL BEARING 6203	2	2						
5	1	22242-000170	RING, 17	1	1						
6	1	24421-173008	SEAL, TC173008	2	2						

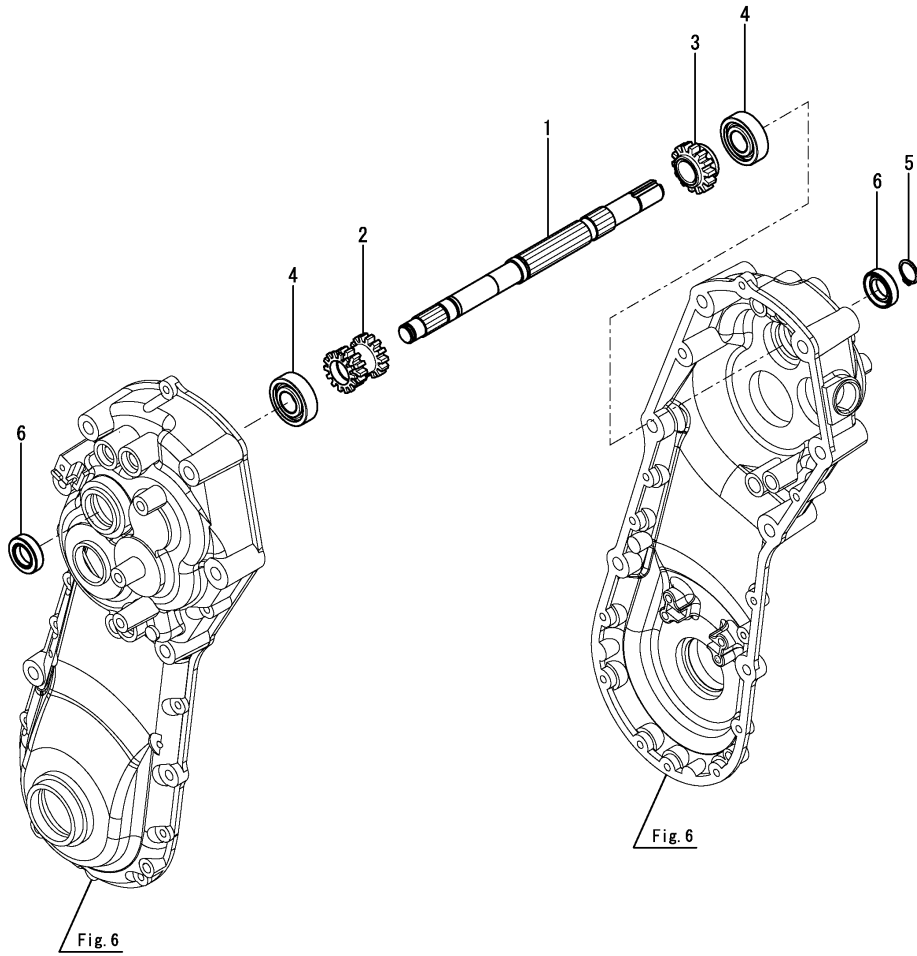
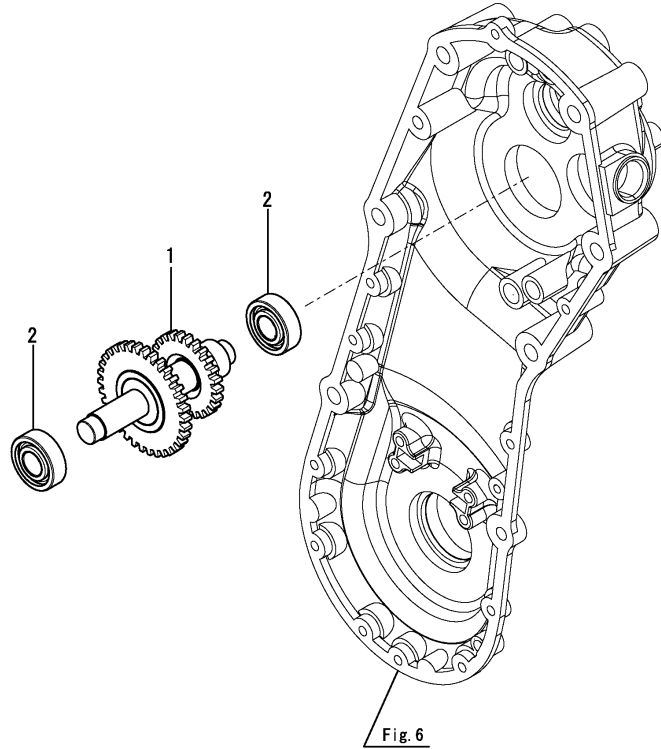


Fig.8. SUB SHAFT

(A)=MK790
(B)=MK890
(C)=

(D)=
(E)=
(F)=

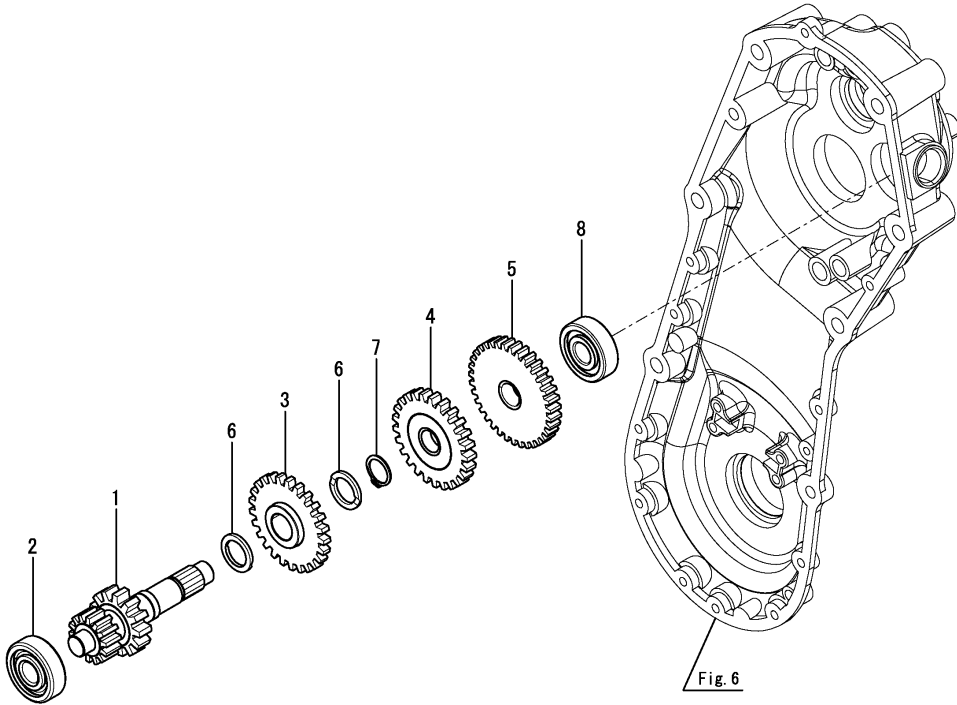


No.	Lev.	Parts No.	Description	Q'ty						I	R
				(A)	(B)	(C)	(D)	(E)	(F)		
1	1	1A2779-23100	SHAFT ASSY,SUB	1	1						
2	1	24101-062024	BEARING, 6202	2	2						

Fig.9. DECELERATION SHAFT

(A)=MK790
(B)=MK890
(C)=

(D)=
(E)=
(F)=



No.	Lev.	Parts No.	Description	Q'ty						I	R
				(A)	(B)	(C)	(D)	(E)	(F)		
1	1	1A2779-23200	SHAFT ASSY, REDUCTIO	1	1						
2	1	1A2000-23251	BEARRING, 6302-9TC3	1	1						
3	1	1A2770-23300	GEAR 19-25	1	1						
4	1	1A2779-23350	GEAR, 25T	1	1						
5	1	1A2779-23360	GEAR, 33T	1	1						
6	1	1W4992-60110	THRUST WASHER	2	2						
7	1	22242-000180	RING, 18	1	1						
8	1	24101-063024	BEARING, 6302	1	1						

Fig.10. FINAL SHAFT

(A)=MK790
(B)=MK890
(C)=

(D)=
(E)=
(F)=

No.	Lev.	Parts No.	Description	Q'ty						I	R
				(A)	(B)	(C)	(D)	(E)	(F)		
1	1	1A1750-20410	CAP. SEAL	1	1						
2	1	1A2779-23400	SHAFT, FINAL	1	1						
3	1	1A2779-23430	GEAR, 32T	1	1						
4	1	1A2779-23440	GEAR, 24T	1	1						
5	1	1A2770-23450	SPROCKET 14-14	1	1						
6	1	1A2779-23450	CHAIN, 15.875X50	1	1						
7	1	1A2260-23900	BEARING, 16006	1	1						
8	1	1W3992-61190	THRUST WASHER	1	1						
9	1	24101-063034	BEARING, 6303	1	1						
10	1	24164-000222	RING, 22	1	1						

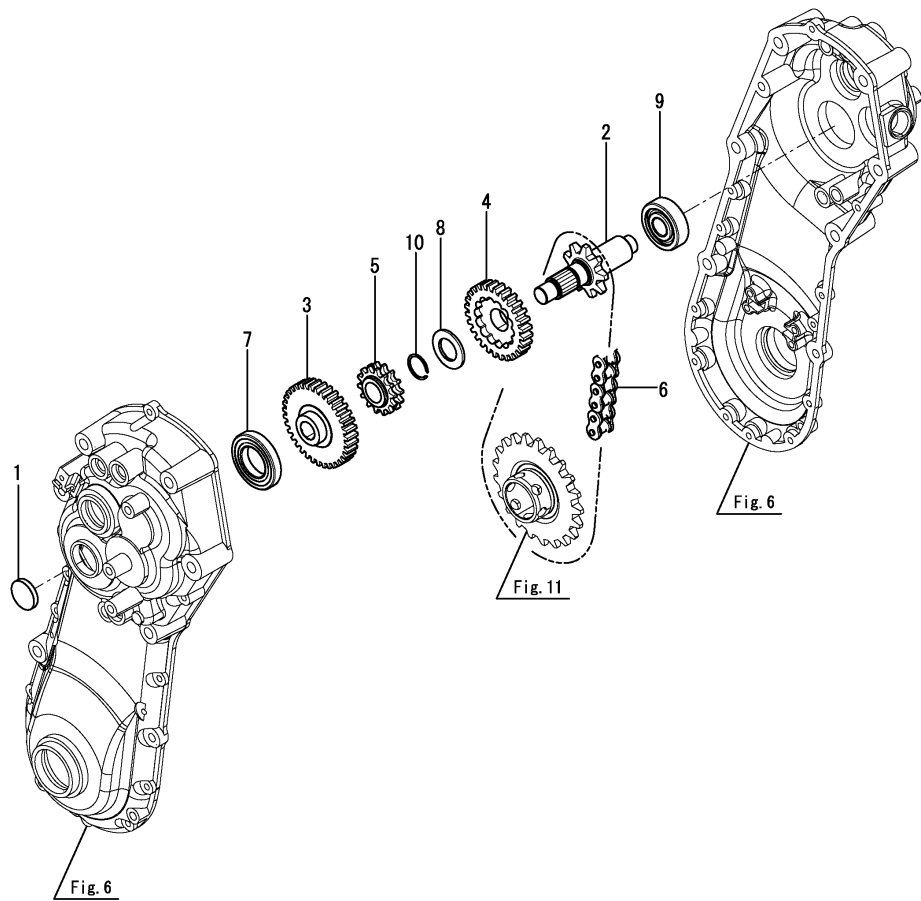
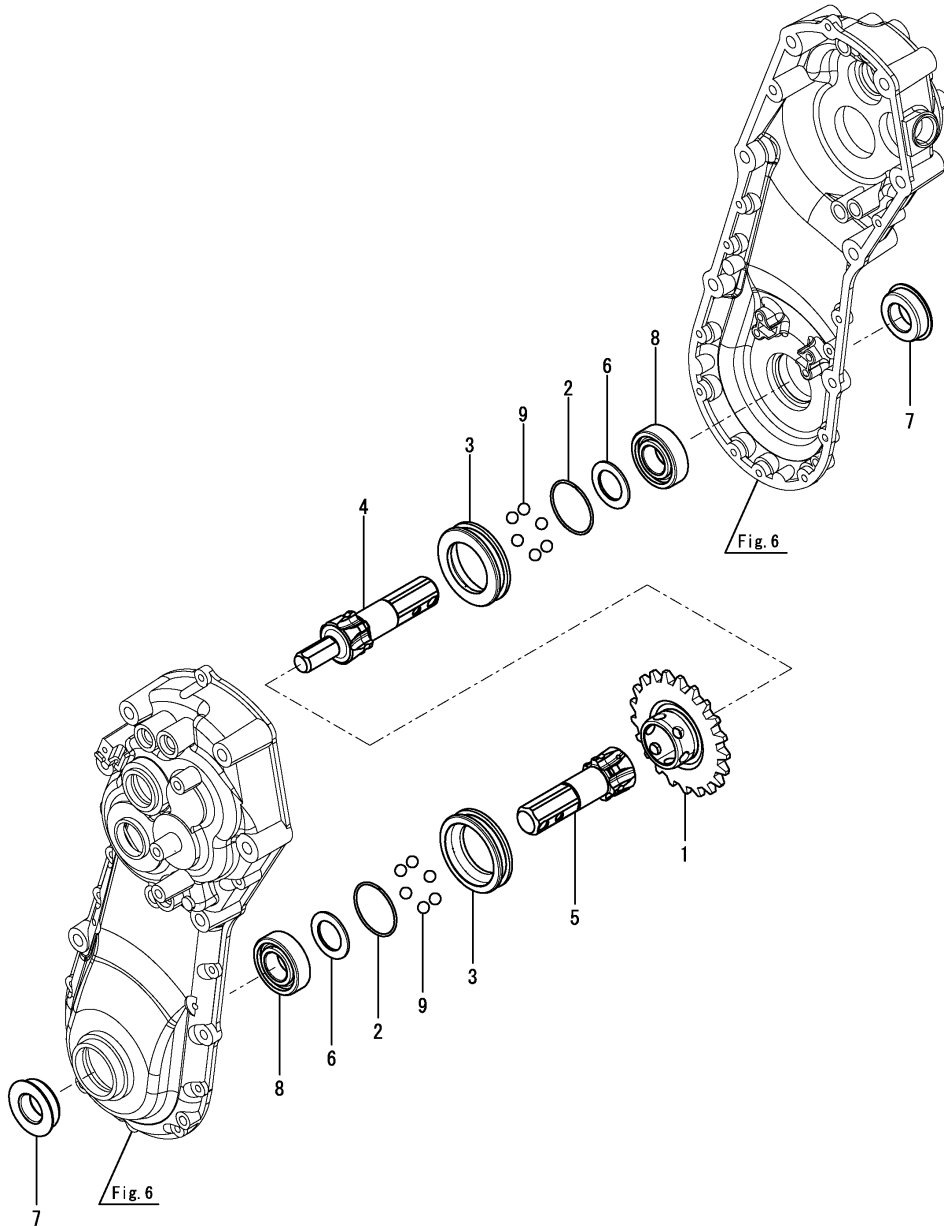


Fig.11. AXLE SHAFT

(A)=MK790
(B)=MK890
(C)=

(D)=
(E)=
(F)=

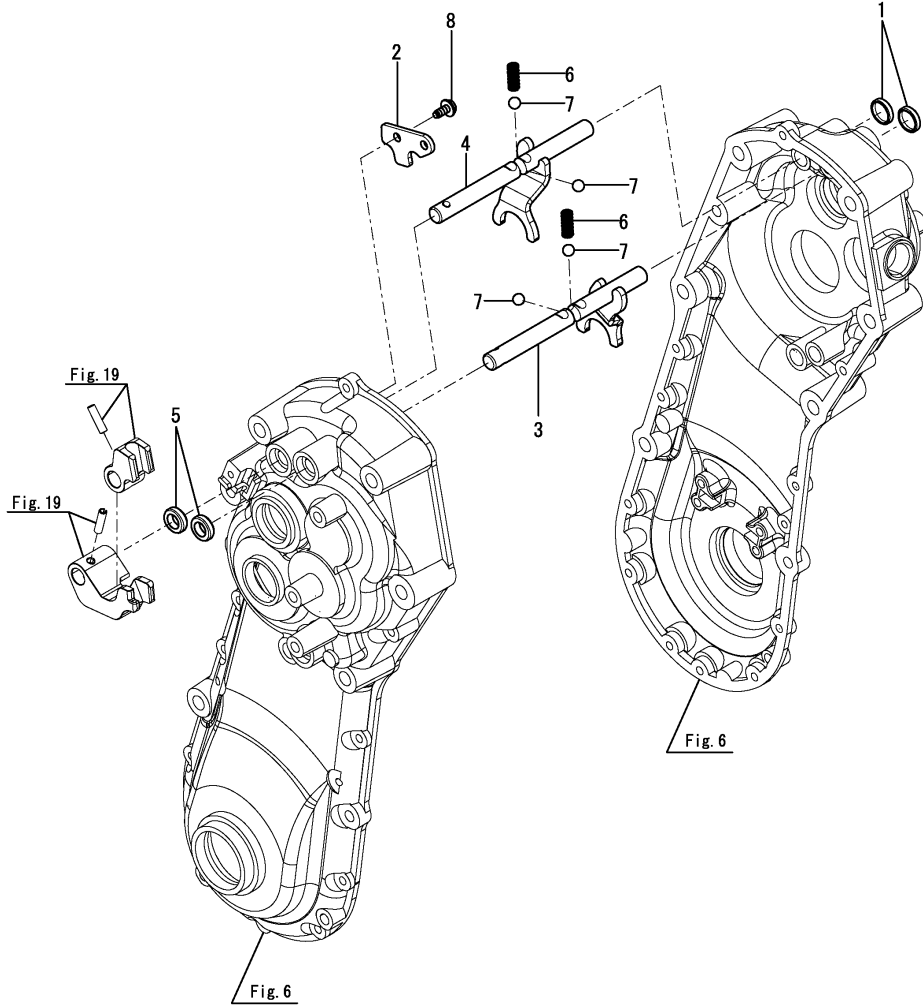


No.	Lev.	Parts No.	Description	Q'ty						I	R
				(A)	(B)	(C)	(D)	(E)	(F)		
1	1	1A2770-24000	SPROCKET,AXLE	1	1						
2	1	1A2570-24010	RING,AXLE	2	2						
3	1	1A2260-24030	SHIFTER	2	2						
4	1	1A2779-24500	SHAFT, AXLE A	1	1						
5	1	1A2779-24510	SHAFT, AXLE B	1	1						
6	1	1A2000-24530	LINER 27X42X2	2	2						
7	1	1A2171-90050	SEAL, OIL 25X44X11	2	2						
8	1	24101-062054	BEARING, 6205	2	2						
9	1	24190-120001	BALL, 3/ 8	12	12						

Fig.12. MAIN CHANGE

(A)=MK790
(B)=MK890
(C)=

(D)=
(E)=
(F)=



No.	Lev.	Parts No.	Description	Q'ty						I	R
				(A)	(B)	(C)	(D)	(E)	(F)		
1	1	1A1750-20431	CAP. SEAL	2	2						
2	1	1A2260-27060	PLATE, SHFTR.RTNR.MN	1	1						
3	1	1A2770-27100	FORK CMP,SHIFTER F	1	1						
4	1	1A2770-27200	FORK CMP,SHIFTER R	1	1						
5	1	1A2173-27900	SEAL,TC121805	2	2						
6	1	1E6150-56040	SPRING, FORK	2	2						
7	1	24190-100003	BALL, 5/16	4	4						
8	1	26476-060122	SCREW,TAPPING 6 X 12	2	2						

Fig.13. RANGE SHIFT

(A)=MK790
(B)=MK890
(C)=

(D)=
(E)=
(F)=

No.	Lev.	Parts No.	Description	Q'ty						I	R
				(A)	(B)	(C)	(D)	(E)	(F)		
1	1	1A1750-20431	CAP. SEAL	1	1						
2	1	1A2260-27050	PLATE,SHFTR.RTNR.SUB	1	1						
3	1	1A2770-27300	FORK CMP,SHAFT(SUB	1	1						
4	1	1A2173-27900	SEAL,TC121805	1	1						
5	1	1E6150-56040	SPRING, FORK	1	1						
6	1	24190-100003	BALL, 5/16	1	1						
7	1	26476-060122	SCREW,TAPPING 6 X 12	2	2						

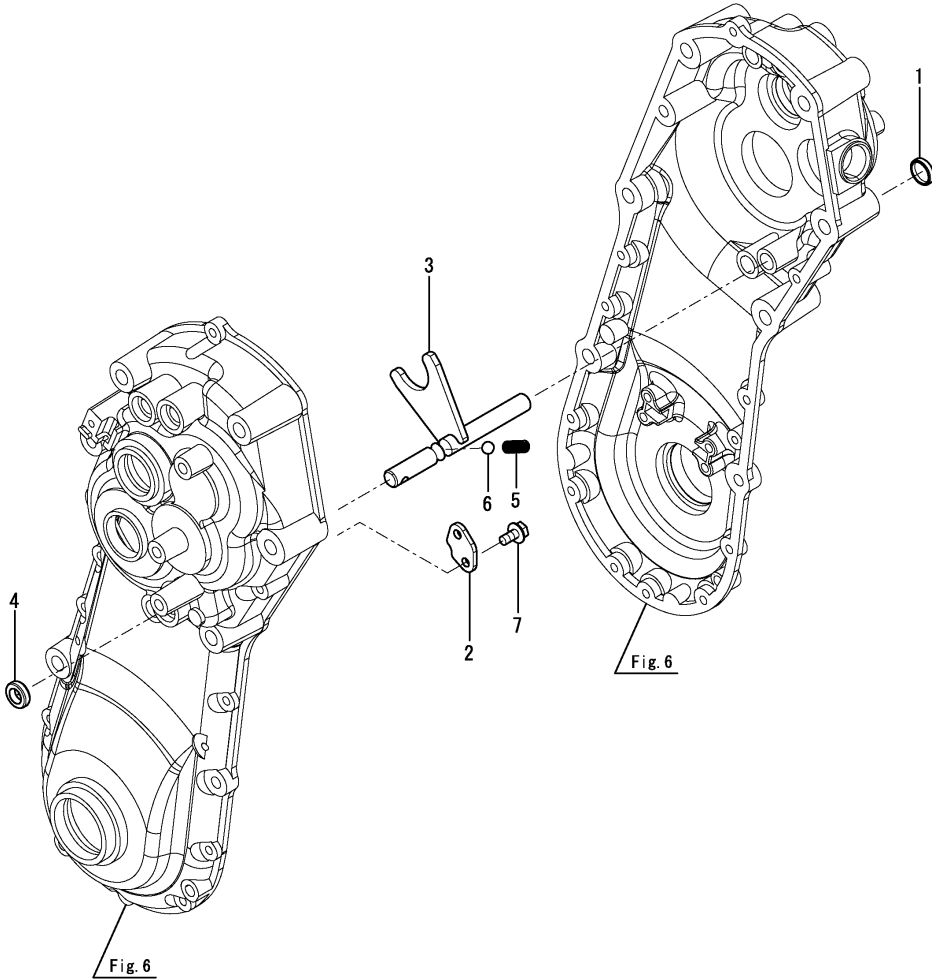
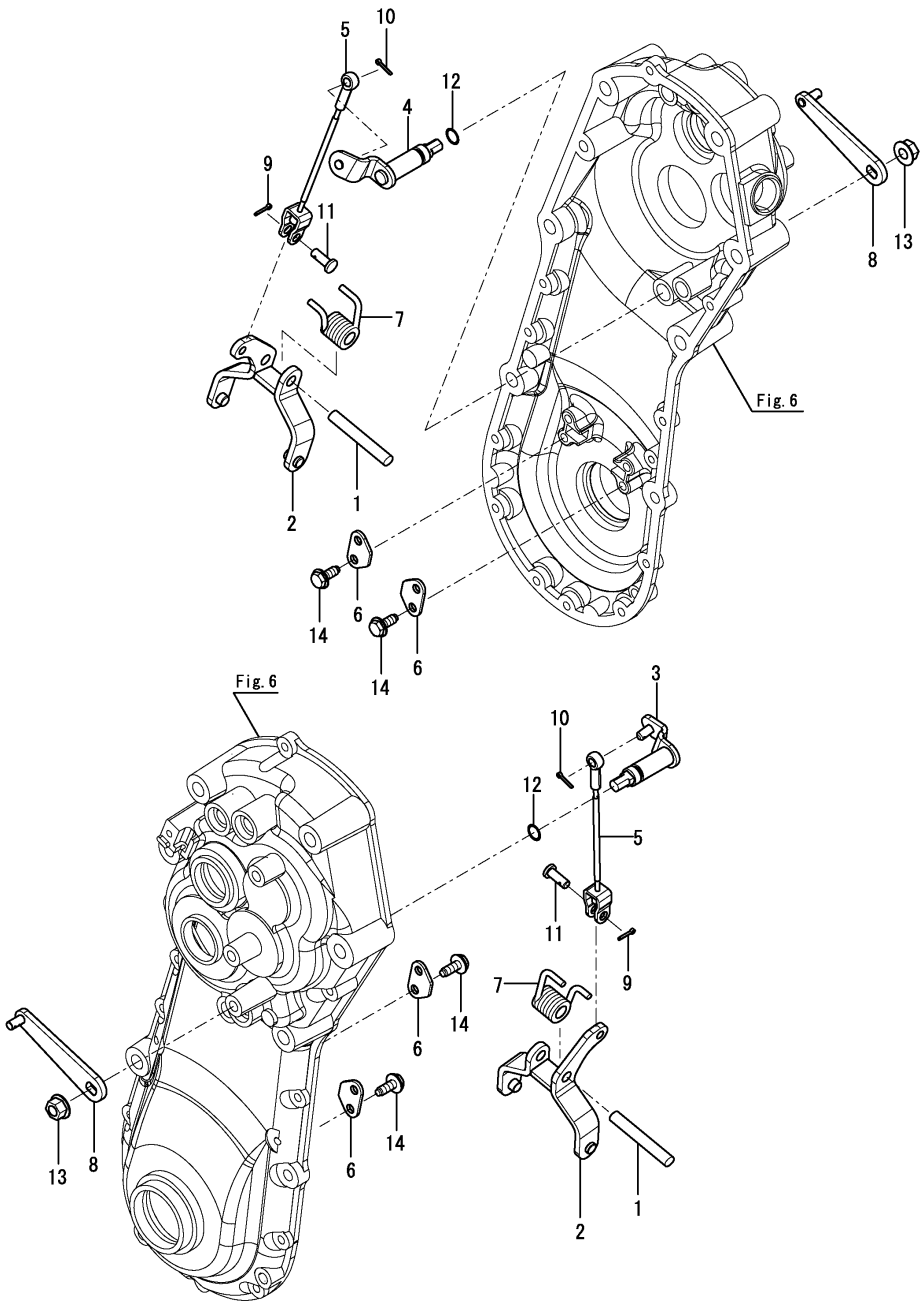


Fig.14. SIDE CLUTCH

(A)=MK790
(B)=MK890
(C)=

(D)=
(E)=
(F)=



No.	Lev.	Parts No.	Description	Q'ty						I	R
				(A)	(B)	(C)	(D)	(E)	(F)		
1	1	1A1470-20700	PIN, 8X55	2	2						
2	1	1A2260-24050	FORK ASSY,SD.CLUTCH	2	2						
3	1	1A2260-27201	SHAFT L ASSY,SD.CLTCH	1	1						
4	1	1A2260-27251	SHAFT R ASSY,SD.CLTC	1	1						
5	1	1A2260-27300	CABLE, 145(S CLUTCH	2	2						
6	1	1A2000-27600	CLUTCH, SIDE	4	4						
7	1	1A2000-27650	SPRING, CLUTCH SIDE	2	2						
8	1	1A2000-27700	ARM ASSY, CLUTCH	2	2						
9	1	22417-200100	PIN, 2.0 X 10	2	2						
10	1	22417-200100	PIN, 2.0 X 10	2	2						
11	1	22487-060120	PIN, 6 X 12	2	2						
12	1	24311-000100	PACKING, P 10.0	2	2						
13	1	26367-080002	NUT, 8	2	2						
14	1	26476-060142	SCREW,TAPPING 6 X 14	8	8						

Fig.15. FENDER

(A)=MK790
(B)=MK890
(C)=

(D)=
(E)=
(F)=

No.	Lev.	Parts No.	Description	Q'ty						I	R
				(A)	(B)	(C)	(D)	(E)	(F)		
1	1	1A2260-32001	FENDER, L R	1	1						
2	1	26106-080122	BOLT, M8X 12 PLATED	2	2						
3	1	7A2779-32000	FENDER R PLASSY	1	1						
4	1	1W4641-70150	PLATE	1	1						
5	1	26106-080162	BOLT, M8X 16 PLATED	2	2						

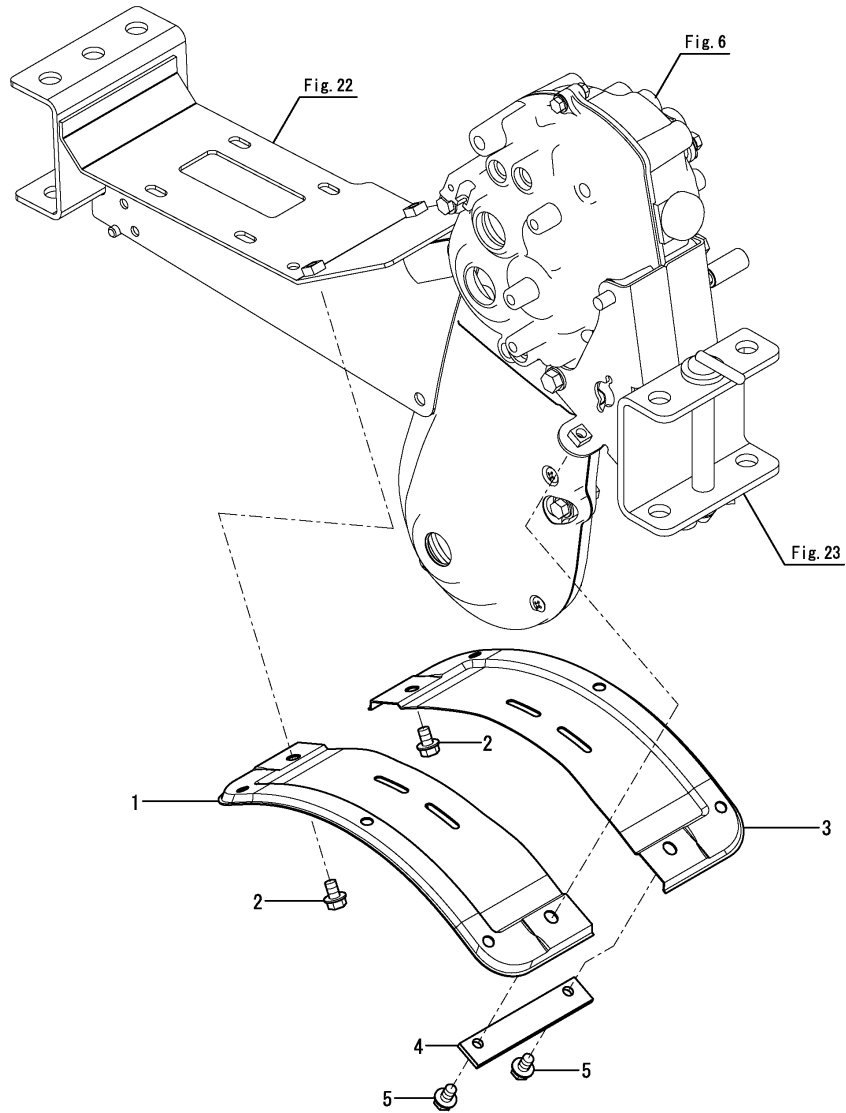
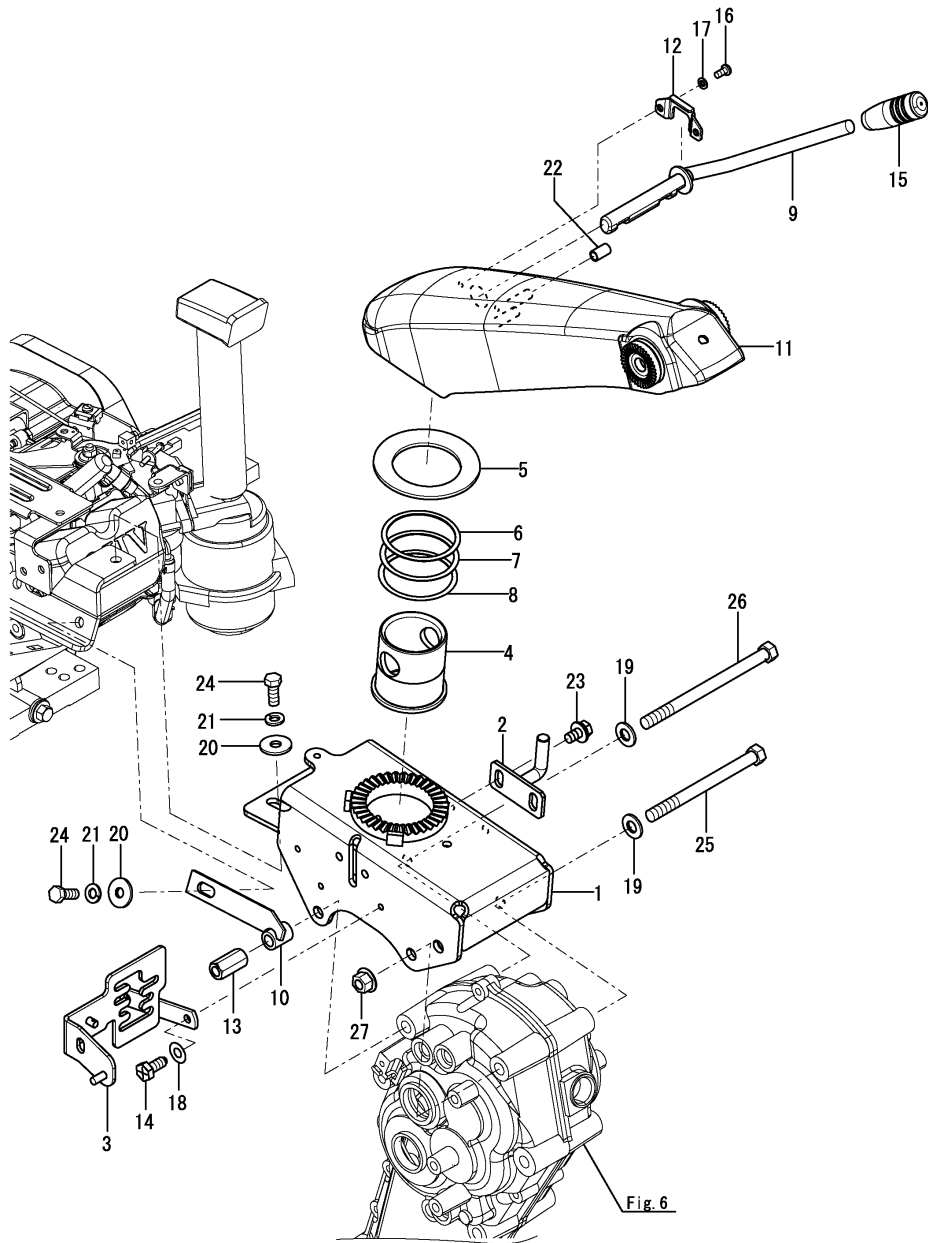


Fig.16. HANDLE BASE



(A)=MK790
(B)=MK890
(C)=

(D)=
(E)=
(F)=

No.	Lev.	Parts No.	Description	Q'ty						I	R
				(A)	(B)	(C)	(D)	(E)	(F)		
1	1	1A2779-51000	BASE ASSY, HANDLE	1	1						
2	1	1A2779-51070	STOPPER ASSY, HANDLE	1	1						
3	1	1A2770-51150	PLATE CMP, GUIDE(DX)	1	1						
4	1	1A2000-51250	MOVE ROUND GRID	1	1						
5	1	1A2000-51280	WASHER, SPRING	1	1						
6	1	1A2000-51310	SHIM, 57X65X1	1	1						
7	1	1A2000-51320	SHIM, 57X65X0.8	1	1						
8	1	1A2000-51330	SHIM, 57X65X0.6	1	1						
9	1	1A2000-51350	LEVER ASSY,ROUND	1	1						
10	1	1A2770-51350	STIFFNER CMP(L	1	1						
11	1	7A2779-52000	HANDLE FRAME PL ASSY	1	1						
12	1	1W4451-60281	PLATE	1	1						
13	1	1A2300-61450	NUT	1	1						
14	1	1A2252-64400	BOLT, 6X16	2	2						
15	1	1E6570-65751	GRIP,BLACK	1	1						
16	1	1A1750-90050	TAPPING SCREW, 5X10	2	2						
17	1	1A1750-90110	WASHER, SPRING 5BK	2	2						
18	1	1A1750-90160	WASHER,PLAIN 6 BLACK	2	2						
19	1	22137-100000	WASHER, 10	2	2						
20	1	22157-080000	WASHER, 8	2	2						
21	1	22217-080000	WASHER, 8	2	2						
22	1	23061-070015	HOSE, 7 X 15	1	1						
23	1	26014-080162	BOLT, 8 X 16	2	2						
24	1	26116-080202	BOLT, 8 X 20	2	2						
25	1	26156-101202	BOLT, 10 X 120	1	1						
26	1	26156-101402	BOLT, 10 X 140	1	1						
27	1	26377-100002	NUT, 10	1	1						

Fig.17. HANDLE

(A)=MK790
(B)=MK890
(C)=

(D)=
(E)=
(F)=

No.	Lev.	Parts No.	Description	Q'ty						I	R
				(A)	(B)	(C)	(D)	(E)	(F)		
1	1	1A2000-51400	LEVER ASSY, STEERING	1	1						
2	1	1A2779-51500	HANDLE ASSY	1	1						
3	1	1A2860-51550	BOLT, 12X125	1	1						
4	1	1A2001-51900	STEERING GRIP	2	2						
5	1	1E6570-65751	GRIP,BLACK	1	1						
6	1	1E6102-84970	BAND 140	2	2						
7	1	22137-120000	WASHER, 12	1	1						
8	1	22217-120000	WASHER, 12	1	1						

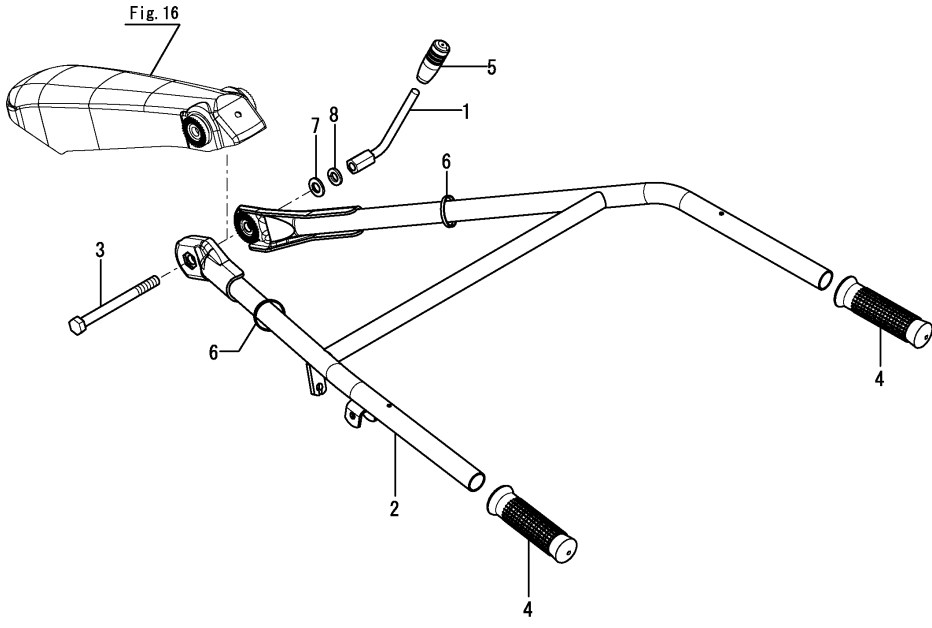
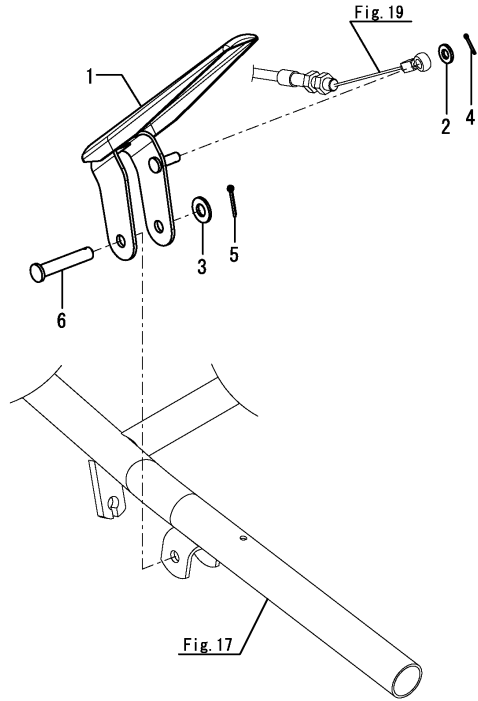


Fig.18. HANDLE ACCESSORIES

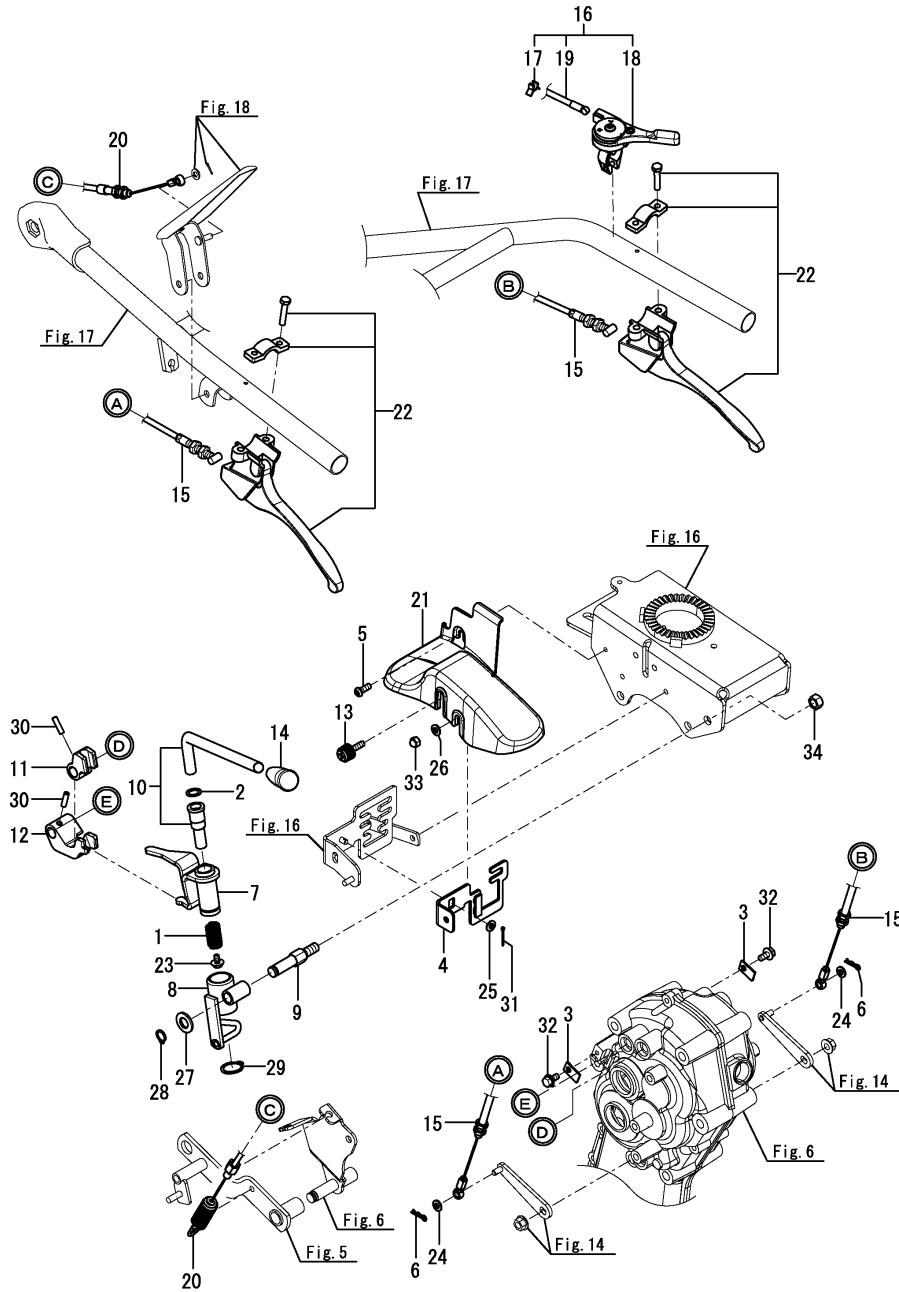
(A)=MK790
(B)=MK890
(C)=

(D)=
(E)=
(F)=



No.	Lev.	Parts No.	Description	Q'ty						I	R
				(A)	(B)	(C)	(D)	(E)	(F)		
1	1	1A2009-55400	LEVER ASSY	1	1						
2	1	22137-060000	WASHER, 6	1	1						
3	1	22137-080000	WASHER, 8	1	1						
4	1	22417-160100	PIN, 1.6 X 10	1	1						
5	1	22417-200160	PIN, 2.0 X 16	1	1						
6	1	22486-080400	PIN, 8 X 40	1	1						

Fig.19. TILLAGE CONTROL LEVER



(A)=MK790
(B)=MK890
(C)=

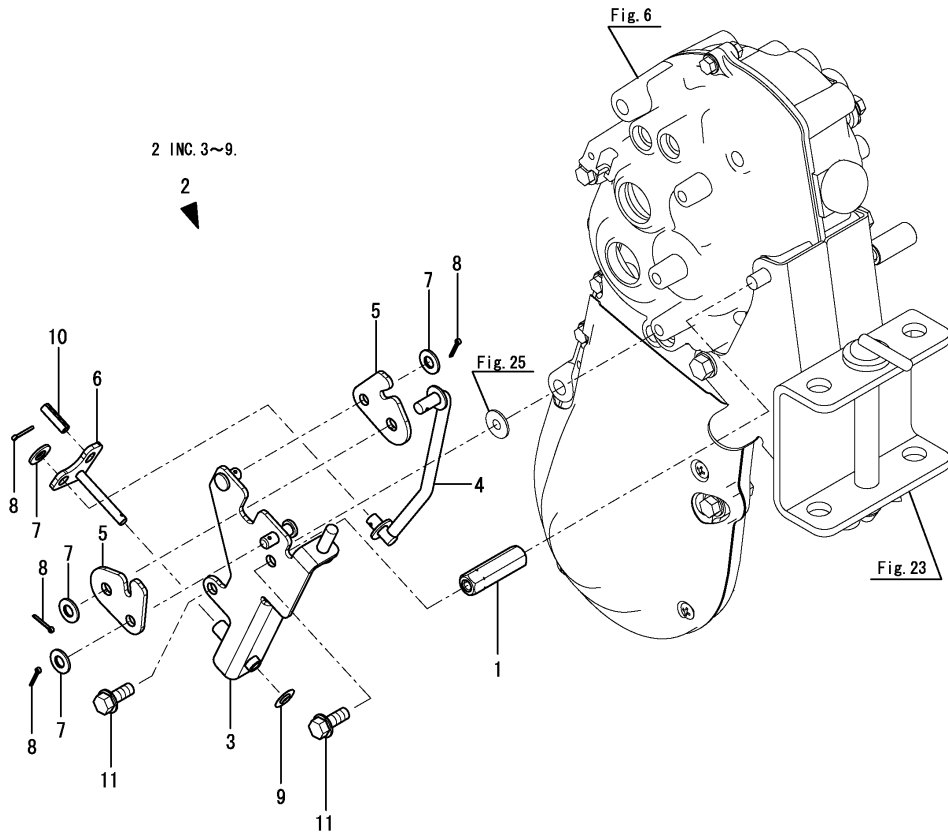
(D)=
(E)=
(F)=

No.	Lev.	Parts No.	Description	Q'ty						I	R
				(A)	(B)	(C)	(D)	(E)	(F)		
1	1	1W4982-11800	SPRING, COMPRESSION	1	1						
2	1	1E4370-24010	LINER 12X17X1K	1	1						
3	1	1A2250-27510	BAR, WIRE RETAINER	2	2						
4	1	1A2779-51200	PLATE ASSY, RESTRAIN	1	1						
5	1	1A1686-52230	SCREW, M6X16	2	2						
6	1	1C6281-52310	PIN, SNAP 6	2	2						
7	1	1A2770-55000	PLATE CMP,CHANGE	1	1						
8	1	1A2770-55050	FULCRUM CMP,CHANGE	1	1						
9	1	1A2770-55090	BOLT, CHANGE FLUCRUM	1	1						
10	1	1A2770-55100	LEVER CMP,CHANGE	1	1						
11	1	1A2770-55130	JOINT A,CHANGE	1	1						
12	1	1A2770-55140	JOINT B,CHANGE	1	1						
13	1	1A2260-55390	FASTENER, M6X20	1	1						
14	1	1A2660-55580	GRIP, CLUTCH LEVER	1	1						
15	1	1A2770-55810	WIRE, SIDE CLUTCH	2	2						
16	1	1A2779-55810	LEVER ASSY, ACCEL.	1	1						
17	2	1A2240-55210	CLIP, M	1	1						
18	2	1A2222-55670	LEVER, ACCELERATOR	1	1						
19	2	1A2770-55850	WIRE ASSY, ACCEL	1	1						
20	1	1A2779-55820	WIRE ASSY, CLUTCH	1	1						
21	1	1A2770-55961	COVER, CLUTCH	1	1						
22	1	1W4995-80861	LEVER, SD.CLUTCH	2	2						
23	1	1E4480-99150	BOLT 6X12	1	1						
24	1	22137-060000	WASHER, 6	2	2						
25	1	22137-060000	WASHER, 6	1	1						
26	1	22137-060000	WASHER, 6	1	1						
27	1	22137-120000	WASHER, 12	1	1						
28	1	22242-000120	RING, 12	1	1						
29	1	22242-000220	RING, 22	1	1						
30	1	22351-050020	PIN, 5.0A X 20	2	2						
31	1	22417-200120	PIN, 2.0 X 12	2	2						
32	1	26476-060122	SCREW, TAPPING 6 X 12	2	2						
33	1	26657-060002	NUT, CAP 6	1	1						
34	1	26736-100002	NUT, 10	1	1						

Fig.20. SUB SHIFT CONTROL

(A)=MK790
(B)=MK890
(C)=

(D)=
(E)=
(F)=



No.	Lev.	Parts No.	Description	Q'ty						I	R
				(A)	(B)	(C)	(D)	(E)	(F)		
1	1	1A2770-51310	NUT, LONG 50	1	1						
2	1	1A2770-55150	LINK ASY,SUB-CHANGE	1	1						
3	2	1A2770-55160	STAY CMP, LINK	1	1						
4	2	1A2770-55200	LINK CMP,SUB-CHANGE	1	1						
5	2	1A2770-55240	PLATE, SUB-CHANGE	2	2						
6	2	1A2770-55250	PLATE CMP, SUB-FORK	1	1						
7	2	22137-080000	WASHER, 8	4	4						
8	2	22417-200150	PIN, 2.0 X 15	4	4						
9	2	26892-000600	NUT, 6	1	1						
10	1	22351-060022	PIN, 6.0A X 22	1	1						
11	1	26106-080202	BOLT, 8 X 20	2	2						

Fig.21. SWITCHING CONTROL

(A)=MK790
(B)=MK890
(C)=

(D)=
(E)=
(F)=

No.	Lev.	Parts No.	Description	Q'ty						I	R
				(A)	(B)	(C)	(D)	(E)	(F)		
1	1	1A2770-55351	CHANGE ASY,PULLY	1	1						
2	2	1A2770-55361	STAY CMP,SHIFT LEVER	1	1						
3	2	1A2770-55380	SPRING 8X55	1	1						
4	2	1A2770-55401	SHIFT LEVER CMP	1	1						
5	2	1A2770-55450	LEVER CMP,CHANGE	1	1						
6	2	1A2770-55490	GRIP, ORANGE	1	1						
7	2	22137-060000	WASHER, 6	1	1						
8	2	22137-080000	WASHER, 8	1	1						
9	2	26367-060002	NUT, 6	1	1						
10	1	26106-080122	BOLT, 8 X 12	2	2						

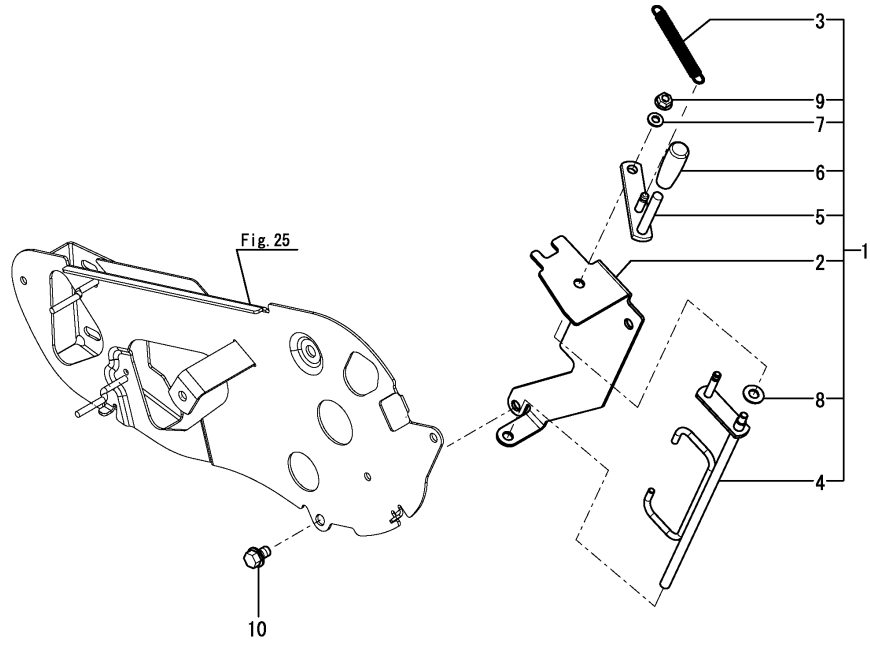
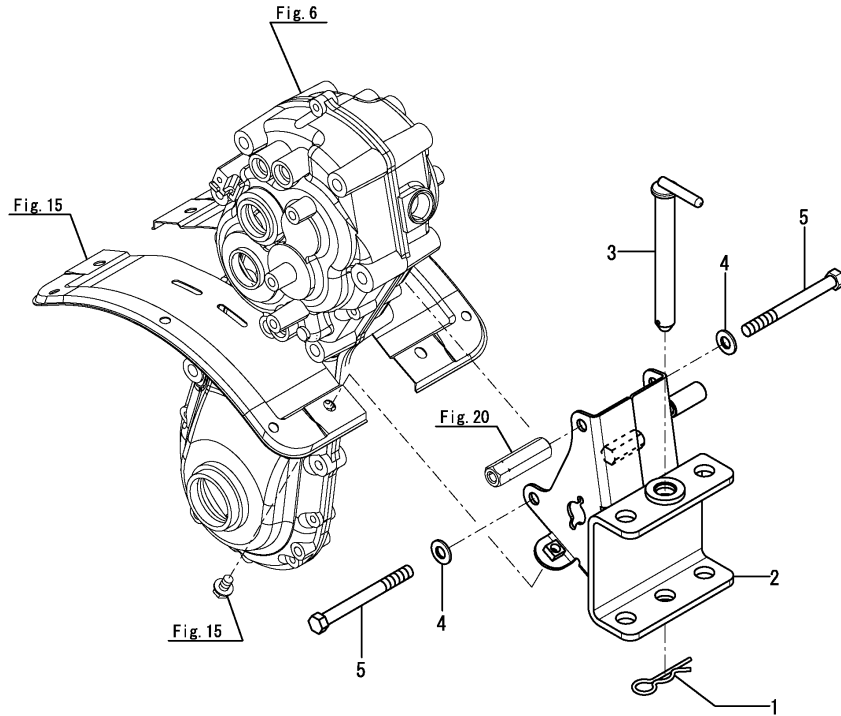


Fig.23. REAR HITCH

(A)=MK790
(B)=MK890
(C)=

(D)=
(E)=
(F)=

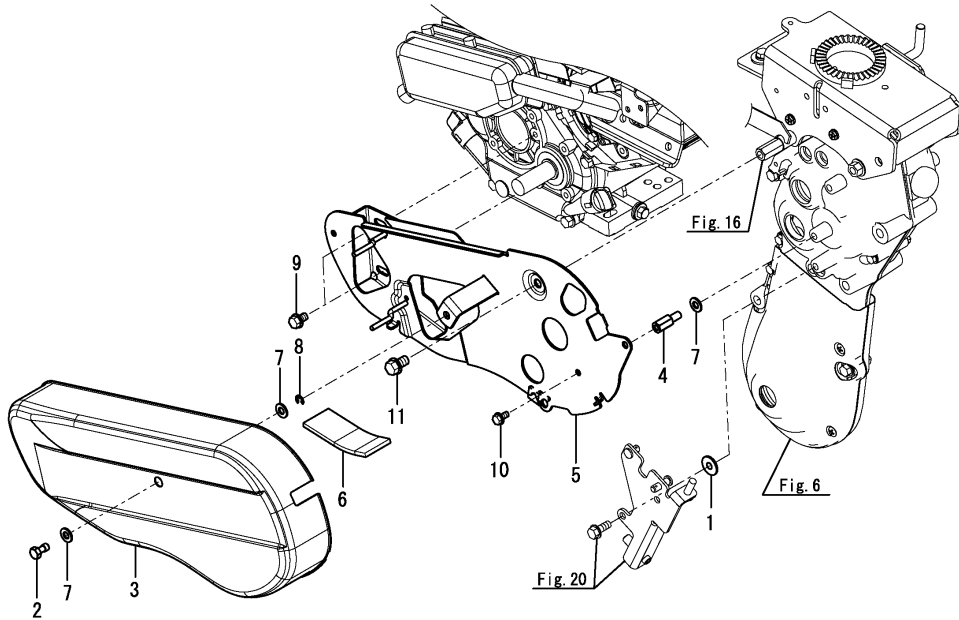


No.	Lev.	Parts No.	Description	Q'ty						I	R
				(A)	(B)	(C)	(D)	(E)	(F)		
1	1	1A2860-61450	SNAP PIN 16	1	1						
2	1	1A2260-69101	REAR HITCH	1	1						
3	1	1A1040-81100	PIN, HITCH	1	1						
4	1	22117-100000	WASHER, 10	2	2						
5	1	26156-101002	BOLT, 10 X 100	2	2						

Fig.25. BELT COVER

(A)=MK790
(B)=MK890
(C)=

(D)=
(E)=
(F)=

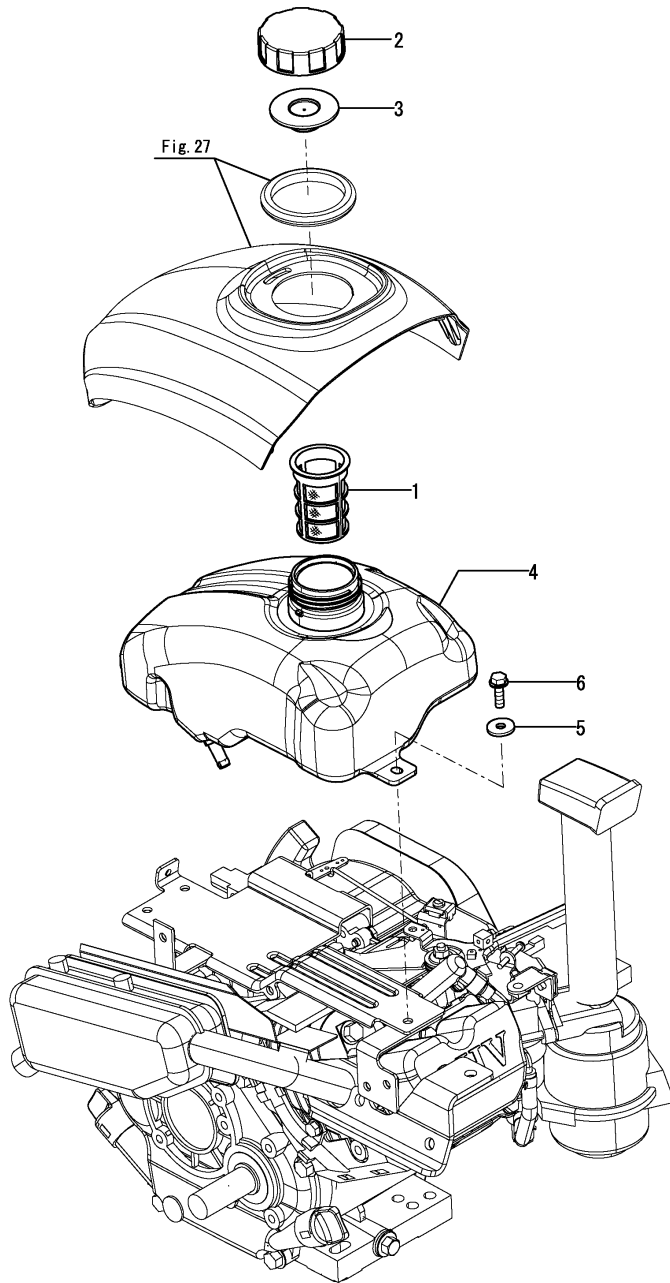


No.	Lev.	Parts No.	Description	Q'ty						I	R
				(A)	(B)	(C)	(D)	(E)	(F)		
1	1	1A2779-21500	WASHER, 8.3X23	1	1						
2	1	1A2132-62050	BOLT	1	1						
3	1	7A2779-62000	BELT COVER PL ASSY	1	1						
4	1	1A2779-62050	BOLT, BACK	1	1						
5	1	1A2779-62000	COVER ASSY, BACK	1	1						
6	1	1A2139-62480	CUSHION	1	1						
7	1	22137-080000	WASHER, 8	3	3						
8	1	22272-000060	RING, 6	1	1						
9	1	26014-080162	BOLT, 8 X 16	2	2						
10	1	26106-060122	BOLT, 6 X 12	1	1						
11	1	26136-100162	BOLT, 10 X 16	1	1						

Fig.26. FUEL TANK

(A)=MK790
(B)=MK890
(C)=

(D)=
(E)=
(F)=

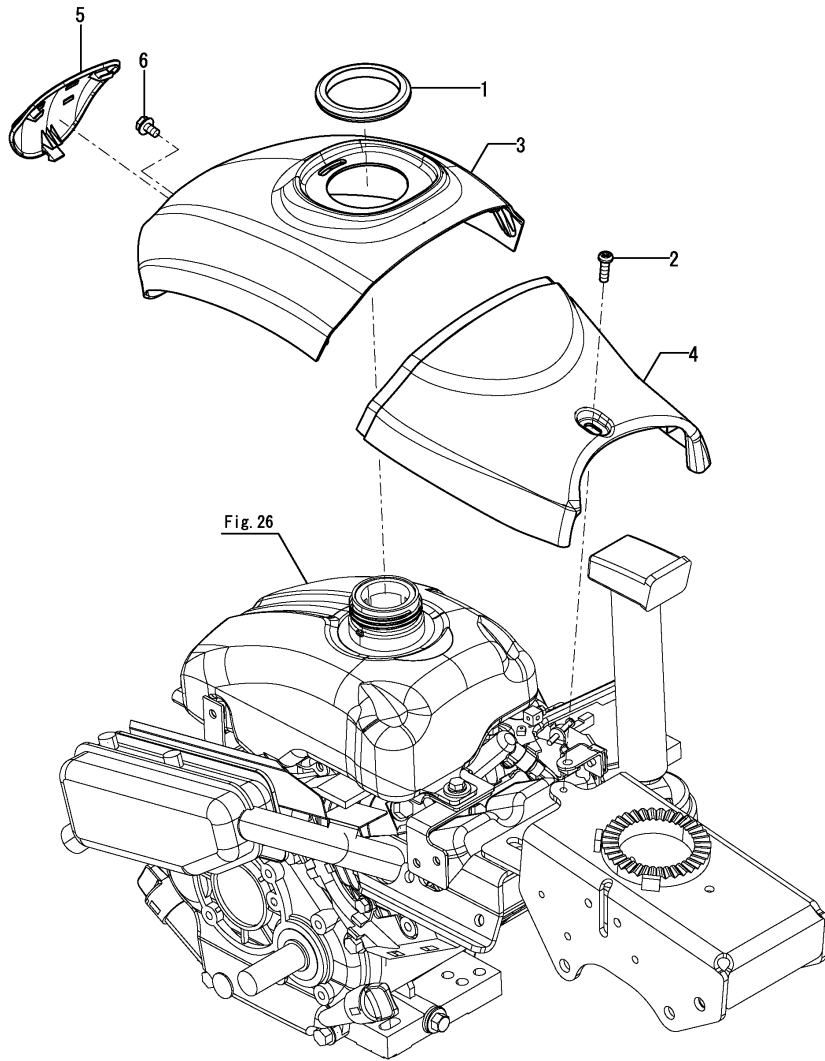


No.	Lev.	Parts No.	Description	Q'ty						I	R
				(A)	(B)	(C)	(D)	(E)	(F)		
1	1	1W1303-40010	FILTER,FUEL	1	1						
2	1	160610-55040	CAP, FUEL TANK	1	1						
3	1	1C6054-62030	PACKING, FUEL TANK	1	1						
4	1	1A2740-63001	FUEL TANK	1	1						
5	1	22157-060000	WASHER, 6	3	3						
6	1	26106-060202	BOLT, 6 X 20	3	3						

Fig.27. BONNET

(A)=MK790
(B)=MK890
(C)=

(D)=
(E)=
(F)=



No.	Lev.	Parts No.	Description	Q'ty						I	R
				(A)	(B)	(C)	(D)	(E)	(F)		
1	1	1W3981-10440	RUBBER	1	1						
2	1	1A1686-52230	SCREW, M6X16	1	1						
3	1	7A2749-64000	BONNET PLASSY	1	1						
4	1	1A2770-64010	COVER, REAR	1	1						
5	1	1A2720-64300	MUSK, FRONT	1	1						
6	1	26106-060082	BOLT, 6 X 8	1	1						

Fig.28. ELECTRIC PARTS

(A)=MK790
(B)=MK890
(C)=

(D)=
(E)=
(F)=

No.	Lev.	Parts No.	Description	Q'ty						I	R
				(A)	(B)	(C)	(D)	(E)	(F)		
1	1	1A1750-40800	SWITCH, STOP	1	1						
2	1	1A2320-55900	BAND, BINDING THIN	2	2						
3	1	1A2779-83050	HARNES, EARTH	1	1						
4	1	1A2000-83100	CORD, STOP SWITCH	1	1						
5	1	26014-080162	BOLT, 8 X 16	1	1						
6	1	26367-080002	NUT, 8	1	1						

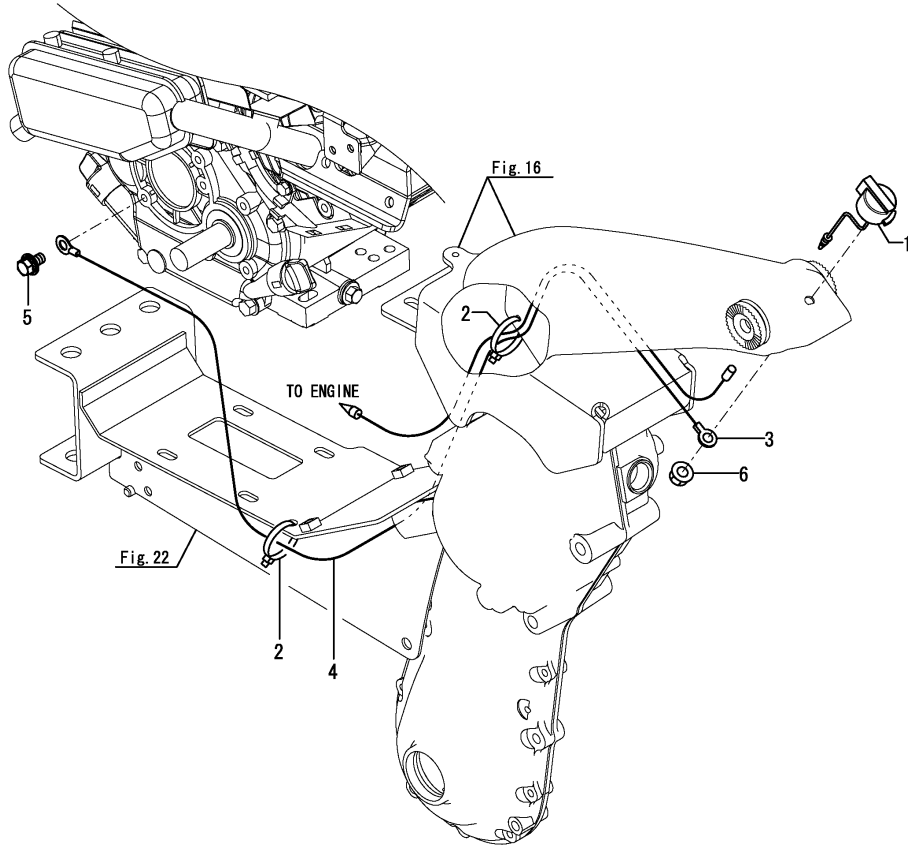
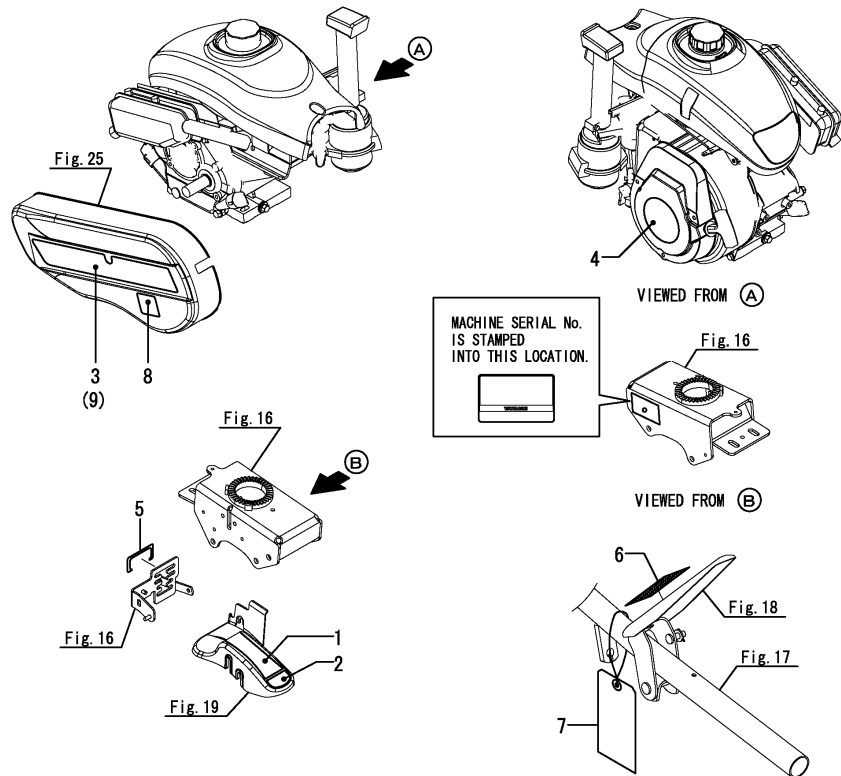
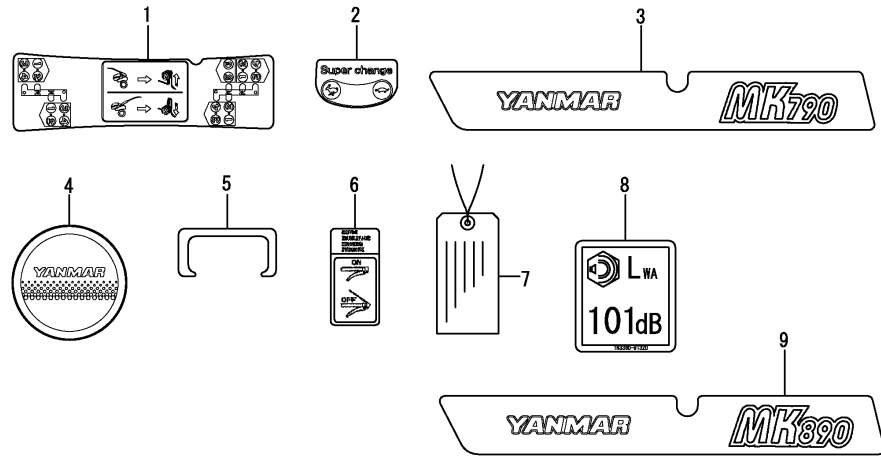


Fig.29. LABEL



(A)=MK790
(B)=MK890
(C)=

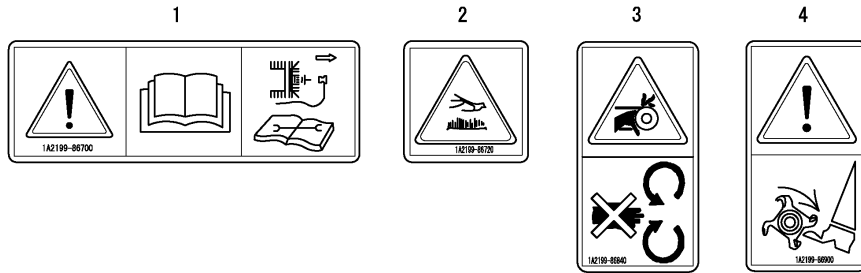
(D)=
(E)=
(F)=

No.	Lev.	Parts No.	Description	Q'ty						I	R
				(A)	(B)	(C)	(D)	(E)	(F)		
1	1	1A2779-86070	LABEL, GEAR SHIFT	1	1						
2	1	1A2779-86090	LABEL, SUPER CHANGE	1	1						
3	1	1A2779-86100	LABEL, MK790	1							
4	1	1A2800-86150	LABEL, RECOIL	1	1						
5	1	1A2770-86250	LABEL, CHANGE	1	1						
6	1	1A2009-86340	LABEL, CLUTCH	1	1						
7	1	1A2099-86900	TAG, CAUTION	1	1						
8	1	1N3360-91320	MARK, SOUND LEVEL	1	1						
9	1	1A2779-86110	LABEL, MK890		1						

Fig.30. SAFETY LABEL

(A)=MK790
(B)=MK890
(C)=

(D)=
(E)=
(F)=



No.	Lev.	Parts No.	Description	Q'ty						I	R
				(A)	(B)	(C)	(D)	(E)	(F)		
1	1	1A2199-86700	MARK, CAUTION	1	1						
2	1	1A2199-86720	MARK, CAUTION	1	1						
3	1	1A2199-86840	MARK, CAUTION	1	1						
4	1	1A2199-86900	MARK, CAUTION	1	1						

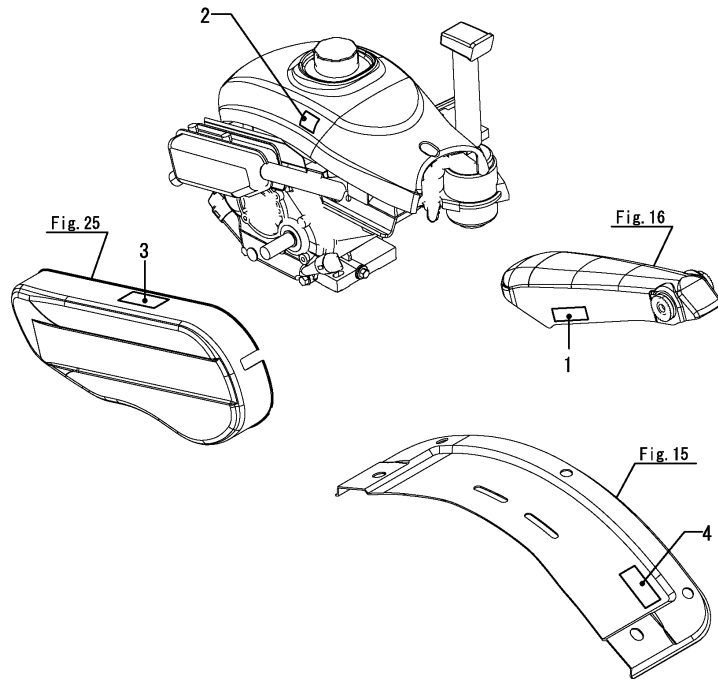
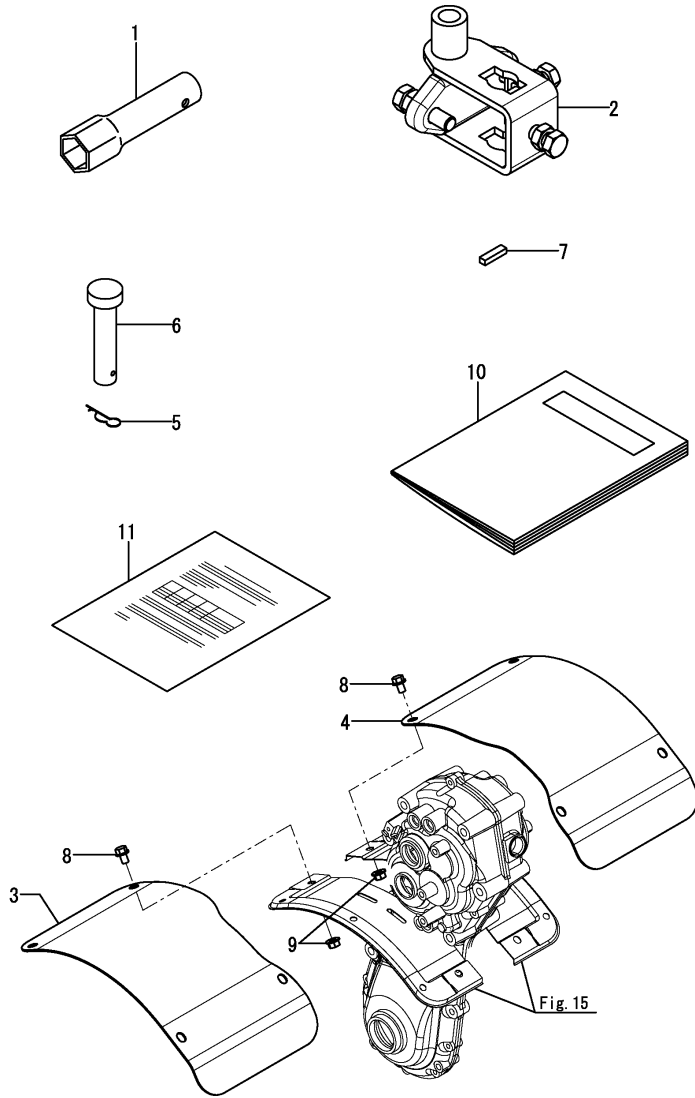


Fig.31. TOOL & ACCESSORY PARTS

(A)=MK790
(B)=MK890
(C)=

(D)=
(E)=
(F)=



No.	Lev.	Parts No.	Description	Q'ty						I	R
				(A)	(B)	(C)	(D)	(E)	(F)		
1	1	160110-92700	SPANNER	1	1						
2	1	7S0070-15000	HITCH, UNIVERSAL	1	1						
3	1	1A2779-32000	FENDER, EXTENSION L	1	1						
4	1	1A2779-32010	FENDER, EXTENSION R	1	1						
5	1	22372-060000	PIN, 6	2	2						
6	1	22487-060400	PIN, 6 X 40	2	2						
7	1	22550-050201	KEY, 5 X 20	1	1						
8	1	26106-080122	BOLT, 8 X 12	4	4						
9	1	26367-080002	NUT, 8	4	4						
10	1	0A211-M00010	OPERATION MANUAL	1	1						
11	1	1A2779-88100	DOCUMENT,DOC	1	1						

Parts No. Index

Parts No.	Fig. No.	Ref. No.
0A211-M00010	31	10
114252-13950	1	4
160110-92700	31	1
160610-55040	26	2
194850-25760	7	4
1A1040-81100	23	3
1A1105-23210	4	4
1A1220-28290	6	10
1A1470-20090	6	1
1A1470-20700	14	1
1A1686-52230	19	5
	27	2
1A1750-20410	10	1
1A1750-20431	12	1
	13	1
1A1750-40800	28	1
1A1750-90050	16	16
1A1750-90110	16	17
1A1750-90160	16	18
1A2000-23251	9	2
1A2000-24530	11	6
1A2000-27600	14	6
1A2000-27650	14	7
1A2000-27700	14	8
1A2000-51250	16	4
1A2000-51280	16	5
1A2000-51310	16	6
1A2000-51320	16	7
1A2000-51330	16	8
1A2000-51350	16	9
1A2000-51400	17	1
1A2000-83100	28	4
1A2001-21250	6	6
1A2001-51900	17	4
1A2009-13302	4	1
1A2009-13342	4	2
1A2009-55400	18	1
1A2009-86340	29	6
1A2019-28300	6	11
1A2099-86900	29	7
1A2132-62050	25	2
1A2139-62480	25	6
1A2171-90050	11	7
1A2173-27900	12	5
	13	4
1A2199-86700	30	1
1A2199-86720	30	2
1A2199-86840	30	3
1A2199-86900	30	4
1A2222-55670	19	18

Parts No.	Fig. No.	Ref. No.
1A2240-55210	19	17
1A2250-27510	19	3
1A2252-64400	16	14
1A2260-21000	6	2
1A2260-21101	6	3
1A2260-23900	10	7
1A2260-24030	11	3
1A2260-24050	14	2
1A2260-27050	13	2
1A2260-27060	12	2
1A2260-27201	14	3
1A2260-27251	14	4
1A2260-27300	14	5
1A2260-32001	15	1
1A2260-55390	19	13
1A2260-61200	24	2
1A2260-61240	24	3
1A2260-69101	23	2
1A2300-61450	16	13
1A2320-55900	28	2
1A2480-13100	5	1
1A2530-24100	6	9
1A2570-24010	11	2
1A2660-55580	19	14
1A2720-64300	27	5
1A2740-12100	2	3
1A2740-63001	26	4
1A2740-90100	5	6
1A2770-11200	1	2
1A2770-11300	1	3
1A2770-12050	2	2
	3	2
1A2770-12110	3	3
1A2770-13150	5	4
1A2770-13200	5	5
1A2770-13351	4	3
1A2770-21200	6	4
1A2770-21210	6	5
1A2770-23030	7	3
1A2770-23300	9	3
1A2770-23450	10	5
1A2770-24000	11	1
1A2770-27100	12	3
1A2770-27200	12	4
1A2770-27300	13	3
1A2770-51150	16	3
1A2770-51310	20	1
1A2770-51350	16	10
1A2770-55000	19	7
1A2770-55050	19	8

Parts No.	Fig. No.	Ref. No.
1A2770-55090	19	9
1A2770-55100	19	10
1A2770-55130	19	11
1A2770-55140	19	12
1A2770-55150	20	2
1A2770-55160	20	3
1A2770-55200	20	4
1A2770-55240	20	5
1A2770-55250	20	6
1A2770-55351	21	1
1A2770-55361	21	2
1A2770-55380	21	3
1A2770-55401	21	4
1A2770-55450	21	5
1A2770-55490	21	6
1A2770-55810	19	15
1A2770-55850	19	19
1A2770-55961	19	21
1A2770-64010	27	4
1A2770-86250	29	5
1A2779-11100	1	1
1A2779-21250	6	7
1A2779-21500	6	8
	25	1
1A2779-23000	7	1
1A2779-23010	7	2
1A2779-23100	8	1
1A2779-23200	9	1
1A2779-23350	9	4
1A2779-23360	9	5
1A2779-23400	10	2
1A2779-23430	10	3
1A2779-23440	10	4
1A2779-23450	10	6
1A2779-24500	11	4
1A2779-24510	11	5
1A2779-32000	31	3
1A2779-32010	31	4
1A2779-51000	16	1
1A2779-51070	16	2
1A2779-51200	19	4
1A2779-51500	17	2
1A2779-55810	19	16
1A2779-55820	19	20
1A2779-61000	22	1
1A2779-62000	25	5
1A2779-62050	25	4
1A2779-83050	28	3
1A2779-86070	29	1
1A2779-86090	29	2

Parts No.	Fig. No.	Ref. No.
1A2779-86100	29	3
1A2779-86110	29	9
1A2779-88100	31	11
1A2800-86150	29	4
1A2860-51550	17	3
1A2860-61450	23	1
1C6054-62030	26	3
1C6281-52310	19	6
1C6281-52320	24	1
1D1140-11420	2	1
	3	1
1E4370-24010	19	2
1E4480-99150	19	23
1E6102-84970	17	6
1E6150-56040	12	6
	13	5
1E6570-65751	16	15
	17	5
1N3360-91320	29	8
1W1303-40010	26	1
1W3981-10440	27	1
1W3992-61190	10	8
1W4451-60281	16	12
1W4641-70150	15	4
1W4982-11800	19	1
1W4992-60110	9	6
1W4995-80861	19	22
22117-100000	23	4
22137-060000	18	2
	19	24
		25
		26
	21	7
22137-080000	18	3
	20	7
	21	8
	24	4
	25	7
22137-100000	16	19
22137-120000	5	7
	17	7
	19	27
22157-060000	26	5
22157-080000	16	20
22217-080000	16	21
22217-120000	17	8
22242-000120	5	8
	19	28
22242-000150	4	5
	5	9

Parts No. Index

Parts No.	Fig. No.	Ref. No.
22242-000170	4	6
	7	5
22242-000180	9	7
22242-000220	19	29
22252-000350	4	7
22272-000060	5	10
	25	8
22351-050020	19	30
22351-060022	20	10
22372-060000	31	5
22417-160100	18	4
22417-200100	14	9
		10
22417-200120	19	31
22417-200150	20	8
22417-200160	18	5
22486-080400	18	6
22487-060120	14	11
22487-060400	31	6
22487-080500	24	5
22512-050300	2	4
	3	4
22550-050201	31	7
22867-600140	6	12
23061-070015	16	22
23414-080000	6	13
24101-062024	8	2
24101-062054	11	8
24101-063024	9	8
24101-063034	10	9
24104-060034	4	8
24104-062024	4	9
24164-000222	10	10
24190-100003	12	7
	13	6
24190-120001	11	9
24311-000100	14	12
24421-173008	7	6
26013-080162	2	5
	3	5
26014-080162	16	23
	25	9
	28	5
26014-080202	6	14
26014-080402	1	5
26106-060082	27	6
26106-060122	25	10
26106-060202	26	6
26106-060252	6	15
26106-060552	6	16

Parts No.	Fig. No.	Ref. No.
26106-080122	15	2
	21	10
	31	8
26106-080162	15	5
26106-080202	20	11
26106-080302	6	17
26106-081252	6	18
26116-080202	16	24
26136-100162	25	11
26136-100552	22	2
26136-100602	22	3
26156-101002	23	5
26156-101202	16	25
26156-101402	16	26
26367-060002	6	19
	21	9
26367-080002	1	6
		7
	6	20
	14	13
	28	6
	31	9
26377-100002	16	27
	22	4
26476-060122	12	8
	13	7
	19	32
26476-060142	14	14
26657-060002	19	33
26736-100002	19	34
26892-000600	20	9
7A2749-64000	27	3
7A2779-32000	15	3
7A2779-52000	16	11
7A2779-62000	25	3
7S0070-15000	31	2

Parts No.	Fig. No.	Ref. No.
-----------	----------	----------

Parts No.	Fig. No.	Ref. No.
-----------	----------	----------